

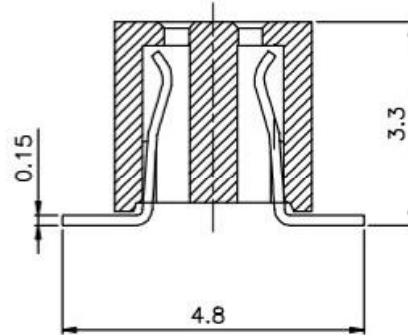
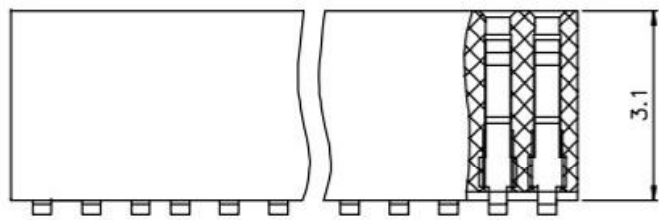
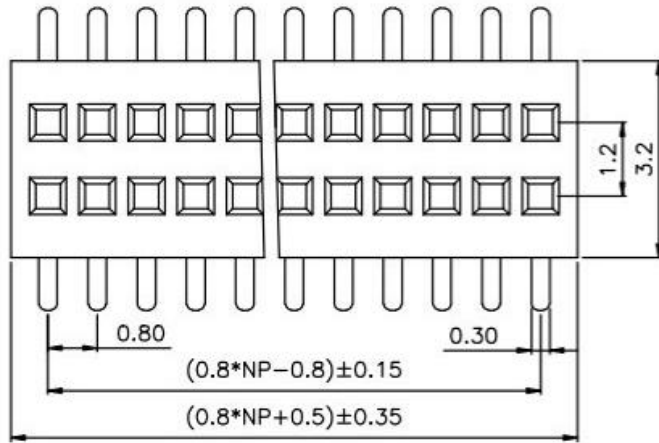
RoHS

REV	ECN NO	DESCRIPTION	DATE	NAME
A		NEW		

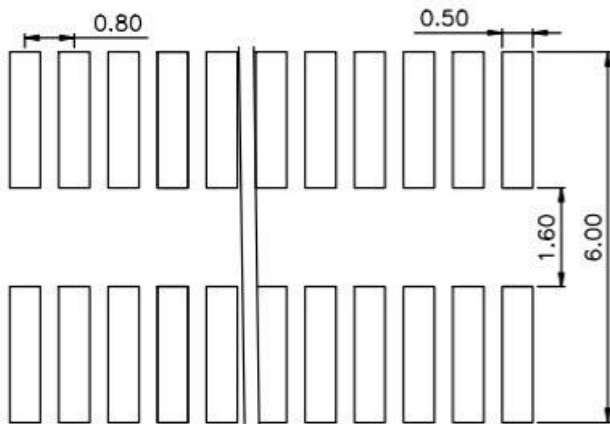
Specifications

- 1.Current Rating:0.75Amps
- 2.Contact Resistance: 20mΩ
- 3.Insulator Resistance:1000 Megohms min.
- 4.Dielectric withstanding Voltage: AC/DC 500V
- 5.Operating Temperature:-40℃ to+105℃
- 6.Contact Material: phosphor Bronze
- 7.Insulator Material:Asfollows
- 8.Plated: Asfollows

Ordering Information



Insulation Height*Wide (H*W)	NO. of Pins Per Row: 1-50P	Insulation Material Option:	Contact Plating	Serial NO. 01-69(No pillars) 70-89(pillars) 90-99(outside pillars)	Packing A=PE Bag B=Tube C=Tray D=Reel
10=1.0*2.3		1=PBT	0=0.8" Gold		
15=1.5*2.3		2=PPS	1=Au1" Gold		
15=1.5*3.2		3=NY6T	2=Au1.5" Gold		
		4=LCP	3=Au2" Gold		
		5=NY66	4=Au3" Gold		
		6=Customized	5=Au5" Gold		
		7=NY46	6=Customized		
		8=NY9T	7=Gold/Tin		
			8=Tin		



PCB LAYOUT

广东科斯达开关厂

STANDARD TOLERANCE (EXCEPT SPECIFIED)

LINER		ANGLES	
.0	±0.30	0.°	±3°
.00	±0.20	.0°	±2°
.000	±0.10	.00°	±1°

TITLE	PH0.8mm H3.1mm 2XNP SMT Dual row Female Header	DRAWN BY	Lu junhui	18.03.30
PART NO		CHECKED BY		
DRAWING NO		APPROVED BY		
SCALE	1:1	UNIT	mm	PAGE 1/1 SIZE A4