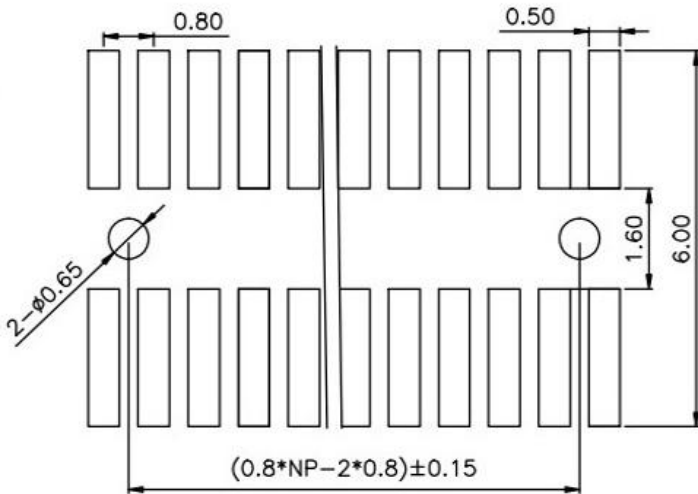
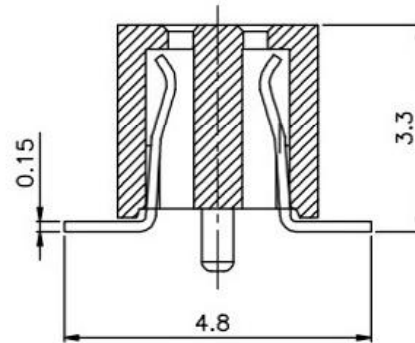
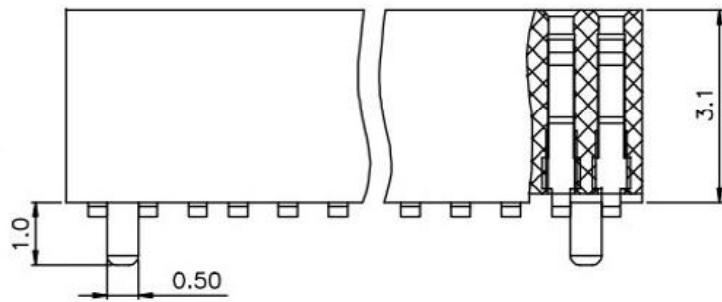
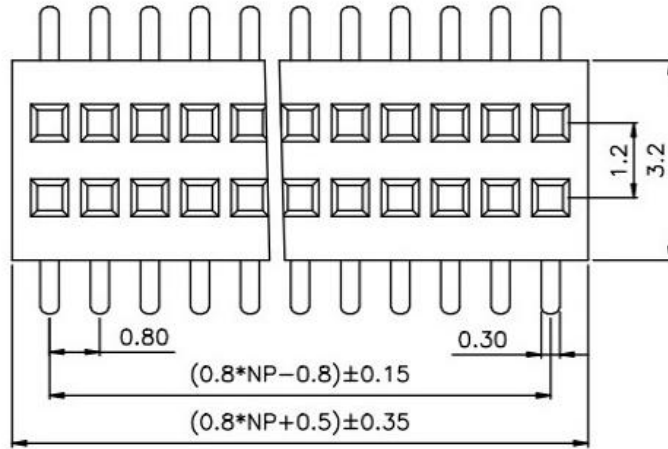


RoHS

REV	ECN NO	DESCRIPTION	DATE	NAME
A		NEW		

Specifications

- 1.Current Rating:0.75Amps
- 2.Contact Resistance: 20mΩ
- 3.Insulator Resistance:1000 Megohms min.
- 4.Dielectric withstanding Voltage: AC/DC 500V
- 5.Operating Temperature:-40℃ to+105℃
- 6.Contact Material: phosphor Bronze
- 7.Insulator Material:Asfollows
- 8.Plated: Asfollows



PCB LAYOUT

Insulation Height*Wide (H*W)	NO. of Pins Per Row:	Insulation Material	Contact Plating	Serial NO.	Packing
Option:	1-50P	Option:	0=0.8" Gold	01-69(No pillars)	A=PE Bag
10=1.0*2.3		1=PBT	1=Au1" Gold	70-89(pillars)	B=Tube
15=1.5*2.3		2=PPS	2=Au1.5" Gold	90-99(outside pillars)	C=Tray
15=1.5*3.2		3=NY6T	3=Au2" Gold		D=Reel
		4=LCP	4=Au3" Gold		
		5=NY66	5=Au5" Gold		
		6=Customized	6=Customized		
		7=NY48	7=Gold/Tin		
		8=NY9T	8=Tin		

 廣東科斯達開關廠

STANDARD TOLERANCE (EXCEPT SPECIFIED)

LINER	ANGLES
.0 ±0.30	0.° ±3°
.00 ±0.20	.0° ±2°
.000 ±0.10	.00° ±1°

TITLE		DRAWN BY		DATE	
PH0.8mm H3.1mm 2XNP SMT Dual row Female Header with Post		Lu junhui		18.03.30	
PART NO		CHECKED BY			
DRAWING NO		APPROVED BY			
SCALE	UNIT	PAGE	SIZE		
1:1	mm	1/1	A4		