

RoHS

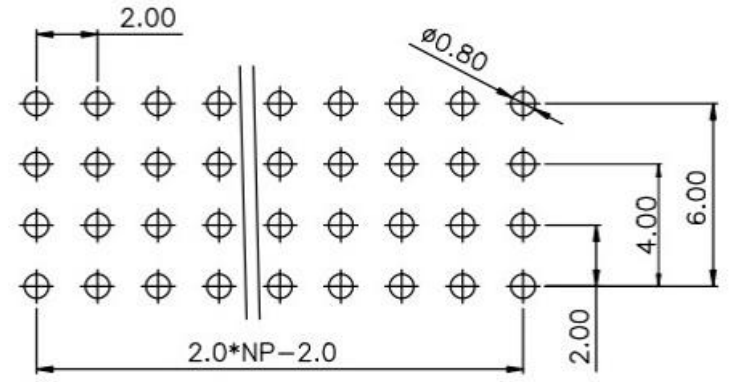
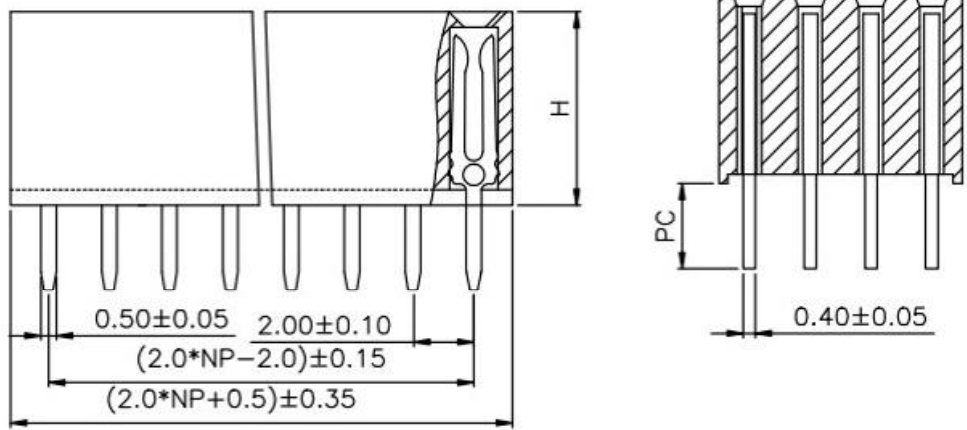
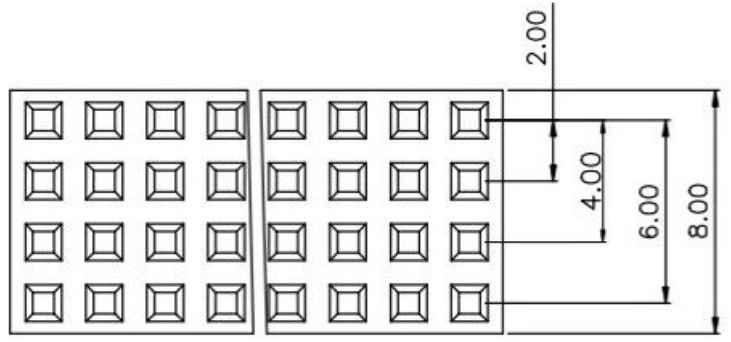
REV	ECN NO	DESCRIPTION	DATE	NAME
A		NEW		

Specifications

- 1.Current Rating:2Amps
- 2.Contact Resistance: 20mΩ
- 3.Insulator Resistance:1000 Megohms min.
- 4.Dielectric withstanding Voltage: AC/DC 1000V
- 5.Operating Temperature:-40℃ to+105℃
- 6.Contact Material: Copper alloy
- 7.Insulator Material:Asfollows
- 8.Plated: Asfollows

Ordering Information

Insulation Height*Wide (H*W)	NO. of Pins Per Row: 1-40P	Insulation Material Option:	Contact Plating	Serial NO.	Packing
50=5.0*5.2		1=PBT	0=0.8" Gold	01-89(No pillars)	A=PE Bag
57=5.7*5.0		2=PPS	1=Au1" Gold	70-89(pillars)	B=Tube
71=7.5*5.0		3=NY6T	2=Au1.5" Gold	90-99(outside pillars)	C=Tray
75=7.1*5.0		4=LCP	3=Au2" Gold		D=Reel
85=8.5*5.0		5=NY66	4=Au3" Gold		
		6=Customized	5=Au5" Gold		
		7=NY46	6=Customized		
		8=NY9T	7=Gold/Tin		
			8=Tin		



PCB LAYOUT

STANDARD TOLERANCE (EXCEPT SPECIFIED)	
LINER	ANGLES
.0 ±0.30	0.° ±3°
.00 ±0.20	.0° ±2°
.000 ±0.10	.00° ±1°

广东科斯达开关厂

TITLE	PH2.0mm 4XNP 180° Dual row Female Header Y Type	DRAWN BY	Lujunhui	18.08.18
PART NO		CHECKED BY		
DRAWING NO		APPROVED BY		
SCALE	1:1	UNIT	mm	PAGE 1/1
				SIZE A4