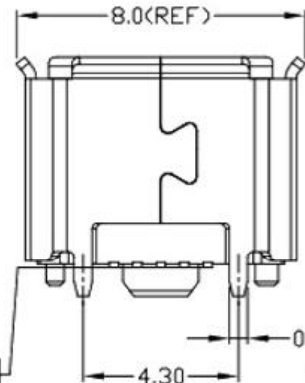
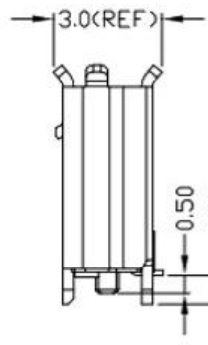
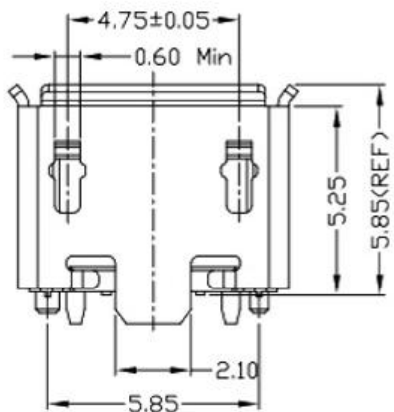
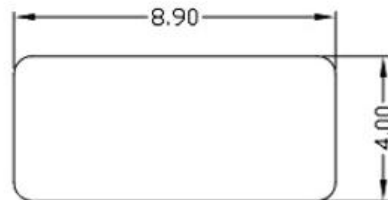
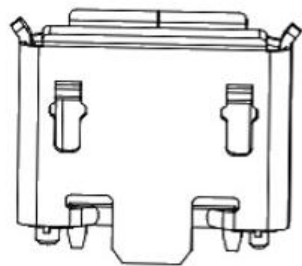
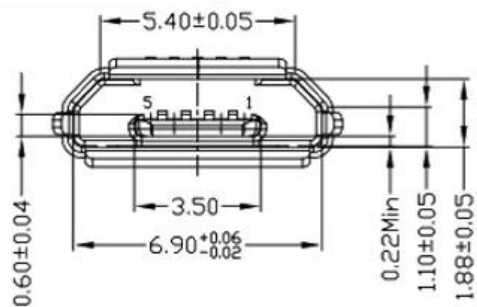
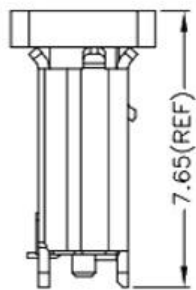
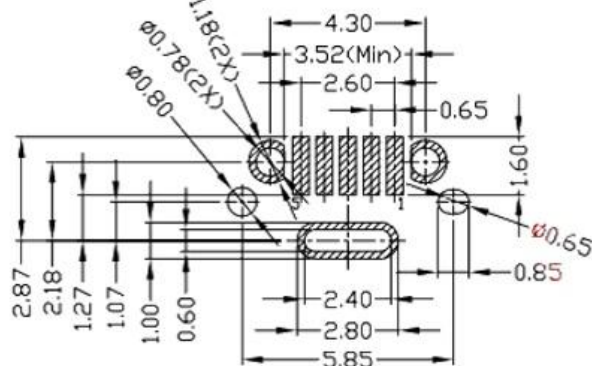
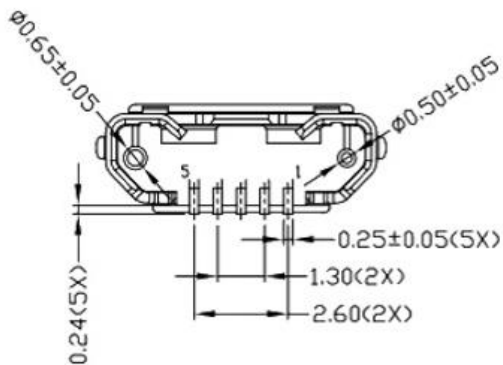
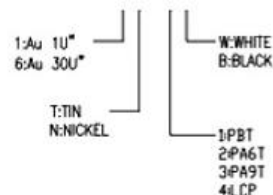


RoHS Compliant



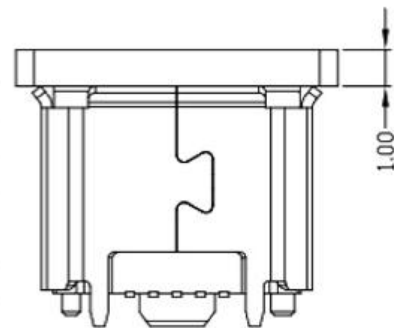
0.10

CAP DIMENSION SKETCH MAP



| PIN | NAME |
|-----|------|
| 5 | GND |
| 4 | ID |
| 3 | D+ |
| 2 | D- |
| 1 | VBUS |

PIN ASSIGNMENT



RECOMMENDED PCB LAYOUT(TOP VIEW)
DEFAULT TOLERANCE:±0.05

NOTES:

1. ELECTRICAL:

- VOLTAGE CURRENT RATING: PIN1&5 1.8AMP MAX / PIN2&3&4 0.5AMP MAX, 30V AC;
- INSULATION RESISTANCE: 100MΩ MIN;
- CONTACT RESISTANCE: 30mΩ MAX;
- WITHSTANDING VOLTAGE: 100V AC; FOR 1 MIN.
- OPERATING TEMPERATURE: -25°C TO +85°C.

2. Mechanical:

- Mating Force: 35N MAX
- Unmating Force: 8N MIN.

3. DIMENSIONS MARKED "▼" TO BE CHECKED BY Q.C & IPQC.

4. PART NO.

| NO. | PART NAME | QTY | MATERIAL | DESCRIPTION | REMARK |
|-----|------------|-----|-----------------|---------------|----------|
| ⑤ | MID PLATE | 1 | STAINLESS STEEL | Au . PLATING. | T=0.15mm |
| ④ | SHELL | 1 | STAINLESS STEEL | Au . PLATING. | T=0.30mm |
| ③ | TERMINAL-B | 1 | TABLE 2: | TABLE 2: | T=0.12mm |
| ② | TERMINAL-A | 1 | TABLE 2: | TABLE 2: | T=0.12mm |
| ① | INSULATOR | 1 | HIGH TEMP | Black | |

UNLESS OTHERWISE, GENERAL TOLERANCE:

X.xxx ±0.10
X.xx ±0.20
X.x ±0.30
X. ±0.38

ANGULAR:
X.xx ±1°
X.x ±3°
X. ±5°

广东科斯达开关厂

| | |
|-------------------------|-------------------------------|
| TITLE: USB connector | P/N: Detail See PART NO. LIST |
| MODEL: | DRAW NO.: |
| THIRD ANGLE PROJECTION | UNIT: mm |
| SCALE: 1:1 | SIZE: A4 |
| | SHEET: 1/1 |

| ECN NO. | REV. | DESCRIPTION | DATE | CHANGE | APPROVAL | DATE |
|-------------|------|-------------|------------|--------|----------|------------|
| JH2016-080 | X2 | 随工程图上升版本次 | 2016.06.15 | 陈少兵 | DESIGN | 2016.06.15 |
| JH2016-071 | X1 | 新增规格 | 2016.06.10 | 陈少兵 | CHECK | 2016.06.15 |
| 20151224001 | X | NEW DRAWING | 2016.05.05 | 陈少兵 | APPROVAL | 2016.06.15 |