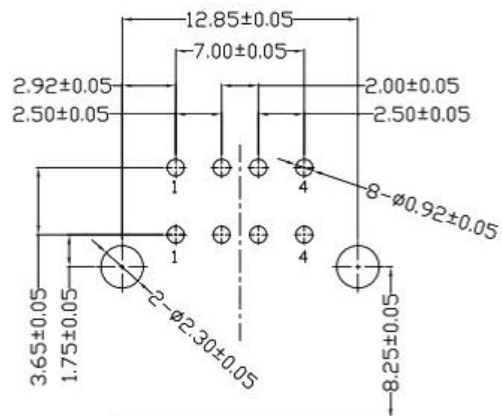
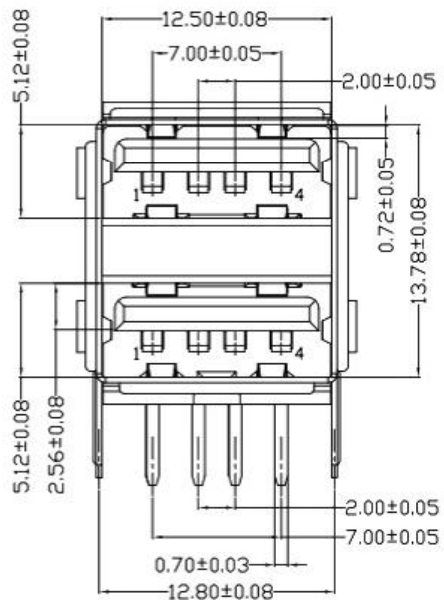
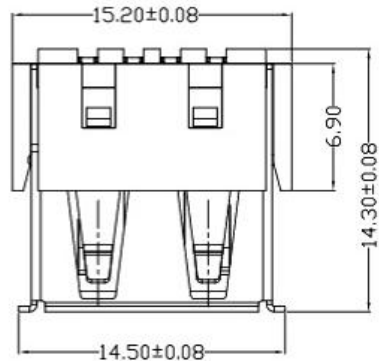
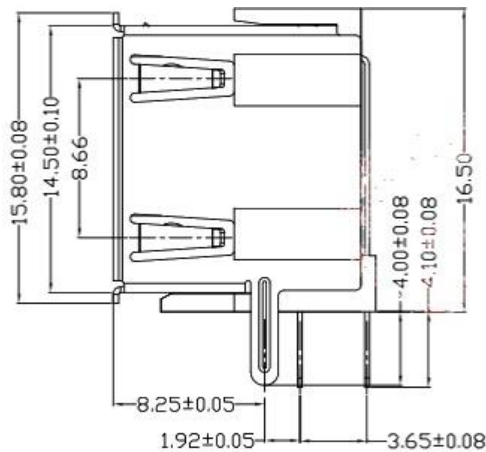


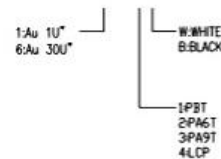
RoHS Compliant



RECOMMENDED PCB LAYOUT



OTES:  
 ELECTRICAL:  
 1)VOLTAGE CURRENT RATING:2AMP,30V DC;  
 2)INSULATION RESISTANCE: 1000MΩ MIN;  
 3)CONTACT RESISTANCE: 30mΩ MAX;  
 4)WITHSTANDING VOLTAGE: 500V AC FOR 1MIN;  
 5)OPERATING TEMPERATURE:-30°C TO +85°C.  
 Mechanical:  
 1)Mating Force: 35N MAX  
 2)Unmating Force: 10N MIN.  
 3.DIMENSIONS MARKED "▼"  
 TO BE CHECKED BY Q.C & IPQC.  
 4. PART NO.



⑤	MID PLATE	1	STAINLESS STEEL	Au . PLATING.	T=0.15mm
④	SHELL	1	STAINLESS STEEL	Au . PLATING.	T=0.30mm
③	TERMINAL-B	1	TABLE 2:	TABLE 2:	T=0.12mm
②	TERMINAL-A	1	TABLE 2:	TABLE 2:	T=0.12mm
①	INSULATOR	1	HIGH TEMP	Black	
NO.	PART NAME	QTY	MATERIAL	DESCRIPTION	REMARK

UNLESS OTHERWISE,  
 GENERAL TOLERANCE:

X.xxx ±0.10  
 X.xx ±0.20  
 X.x ±0.30  
 X. ±0.38

ANGULAR:

X.xx ±1°  
 X.x ±3°  
 X. ±5°

广东科斯达开关厂

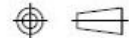
TITLE:  
 USB connector

P/N: Detail See PART NO. LIST

MODEL:

DRAW NO.:

THIRD ANGLE PROJECTION



UNIT:

mm

SCALE:

1:1

SIZE:

A4

SHEET:

1/1

JH2016-080	X2	随工程图上升版本次	2016.06.15	陈少兵	DESIGN	陈少兵	2016.06.15
JH2016-071	X1	新增规格	2016.06.10	陈少兵	CHECK	郑小伟	2016.06.15
20151224001	X	NEW DRAWING	2016.05.05	陈少兵	APPROVAL	吕海涛	2016.06.15
ECN NO.	REV.	DESCRIPTION	DATE	CHANGE			