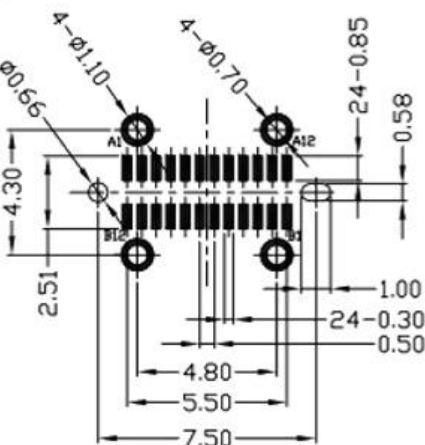
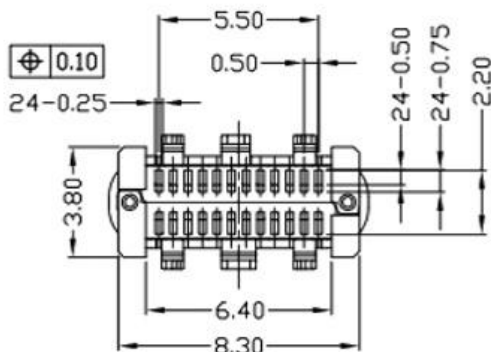
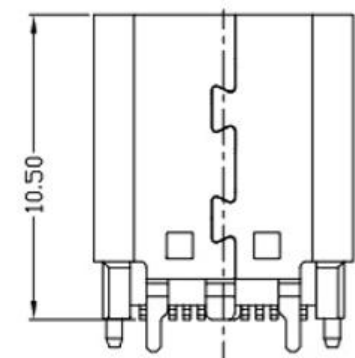
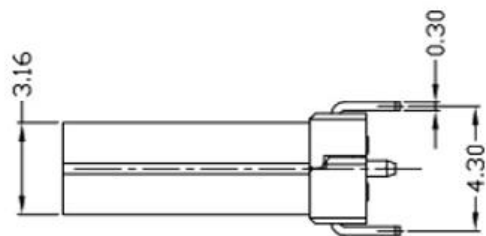
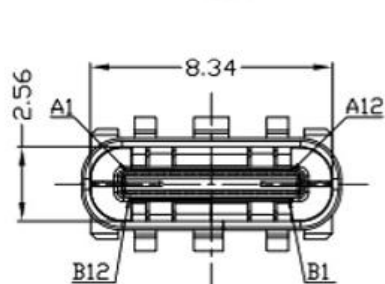
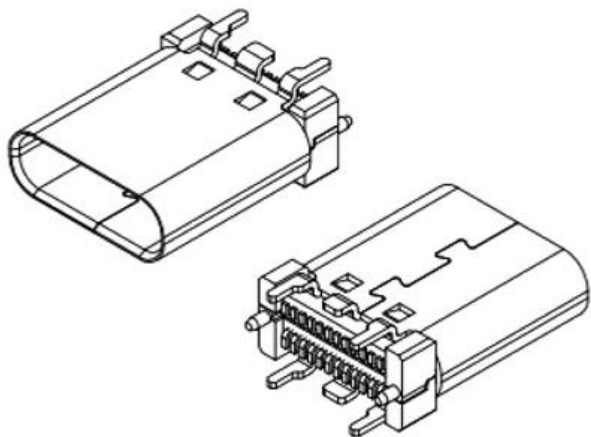
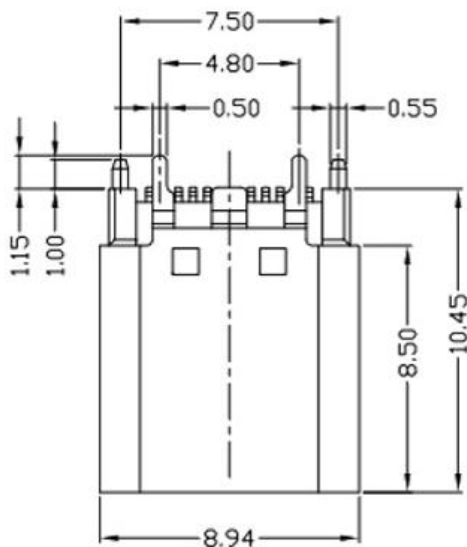


RoHS Compliant



RECOMMENDED PCB LAYOUT

NOTES:

1. ELECTRICAL:

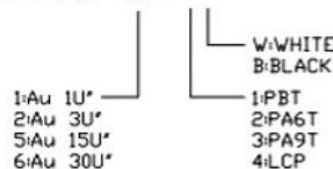
- 1) CURRENT RATING: 3A MIN FOR VBUS; VOLTAGE: 5VAC MAX 0.25A MIN FOR OTHER.
- 2) INSULATION RESISTANCE: 100MΩ MIN;
- 3) CONTACT RESISTANCE: 40mΩ MAX;
- 4) WITHSTANDING VOLTAGE: 100V AC;
- 5) OPERATING TEMPERATURE: -30°C ~ +80°C.

2. Mechanical:

- 1) INSERTION FORCE: 5~20N.
- 2) EXTRACTION FORCE: 8~20N.

3. DIMENSIONS MARKED '▼' TO BE CHECKED BY Q.C & IPQC.

4. PART NO.



USB TYPE-C FULL-FEATURED RECEPTACLE INTERFACE PIN ASSIGNMENTS

| | | | |
|-----|--------|-----|--------|
| A1 | GND | B12 | GND |
| A2 | SSTXP1 | B11 | SSRXP1 |
| A3 | SSTXN1 | B10 | SSRXN1 |
| A4 | VBUS | B9 | VBUS |
| A5 | CC1 | B8 | SBU2 |
| A6 | DP1 | B7 | DN2 |
| A7 | DN1 | B6 | DP2 |
| A8 | SBU1 | B5 | CC2 |
| A9 | VBUS | B4 | VBUS |
| A10 | SSRXN2 | B3 | SSTXN2 |
| A11 | SSRXP2 | B2 | SSTXP2 |
| A12 | GND | B1 | GND |

| NO. | PART NAME | QTY | MATERIAL | DESCRIPTION | REMARK |
|-----|------------|-----|-----------------|---------------|----------|
| ⑤ | MID PLATE | 1 | STAINLESS STEEL | Au . PLATING. | T=0.15mm |
| ④ | SHELL | 1 | STAINLESS STEEL | Au . PLATING. | T=0.30mm |
| ③ | TERMINAL-B | 1 | TABLE 2: | TABLE 2: | T=0.12mm |
| ② | TERMINAL-A | 1 | TABLE 2: | TABLE 2: | T=0.12mm |
| ① | INSULATOR | 1 | HIGH TEMP | Black | |

UNLESS OTHERWISE, GENERAL TOLERANCE:

| | |
|-------|-------|
| X.xxx | ±0.10 |
| X.xx | ±0.20 |
| X.x | ±0.30 |
| X. | ±0.38 |

| | |
|----------|-----|
| ANGULAR: | |
| X.xx | ±1° |
| X.x | ±3° |
| X. | ±5° |

广东科斯达开关厂

| | | | | | |
|------------------------|---------------|--------|-------|--------|-------------------------------|
| TITLE: | USB connector | | | | P/N: Detail See PART NO. LIST |
| | | | | | MODEL: |
| | | | | | DRAW NO.: |
| THIRD ANGLE PROJECTION | UNIT: | SCALE: | SIZE: | SHEET: | |
| | mm | 1:1 | A4 | 1/1 | |

| | | | | | | | |
|-------------|------|-------------|------------|--------|----------|-----|------------|
| JH2016-080 | X2 | 随工程图上升版本次 | 2016.06.15 | 陈少兵 | DESIGN | 陈少兵 | 2016.06.15 |
| JH2016-071 | X1 | 新增规格 | 2016.06.10 | 陈少兵 | CHECK | 郑小伟 | 2016.06.15 |
| 20151224001 | X | NEW DRAWING | 2016.05.05 | 陈少兵 | APPROVAL | 吕海涛 | 2016.06.15 |
| ECN NO. | REV. | DESCRIPTION | DATE | CHANGE | | | |