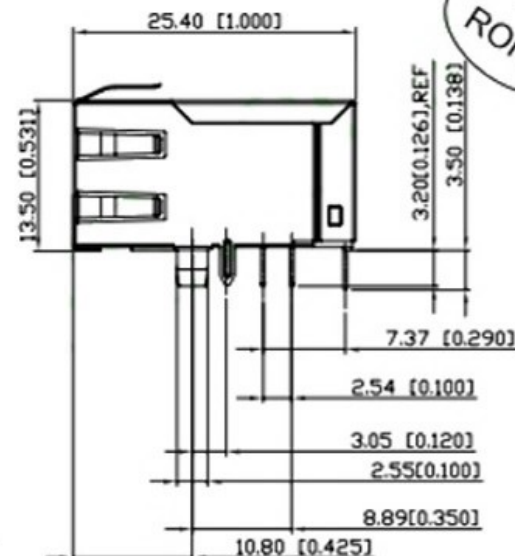
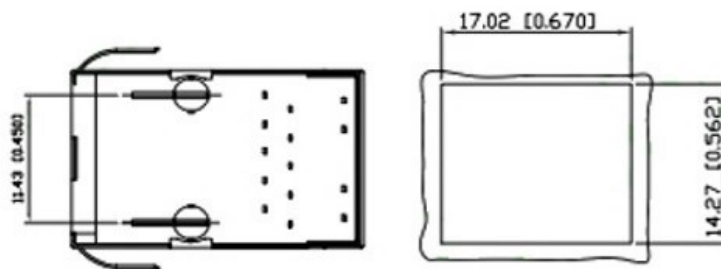
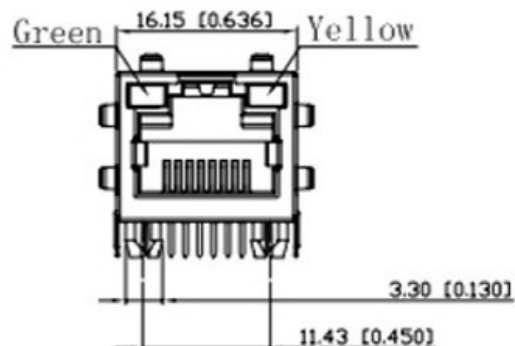
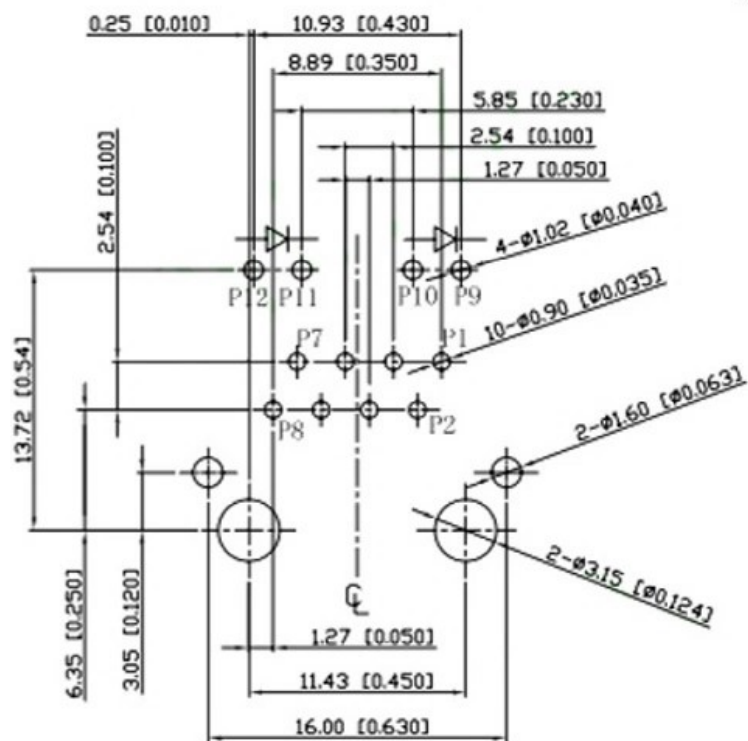


REV.	DESCRIPTION	NAME	DATE
A	NEWS ISSUE		2018/01/18
B	Modify dimensions		2019/03/22

#### 4. Mechanicals:



ROHS



PLA. 5 RECOMMENDED HOLE LOCATIONS FROM CENTERLINE SIDE.  
ALL DIMENSIONS ARE IN MM

#### LED Specification

Standard LED Color	LED Wavelength	Forward (V MAX)	Typical (V TYP)	Luminous Intensity
Green	560-580 nm	2.5V	2.1-2.2V	9-25 MCD
Yellow	580-610 nm	2.5V	2.1-2.2V	9-30 MCD

- LED intensity/wavelength measured with Photo Research PR-650 Colorimeter
- With a forward current of 20 mA. Absolute Maximum Ratings (T<sub>a</sub>=25°C)

- Connector Material:  
Housing: Thermoplastic UL94 V-0  
Contact/Shield: Cooper alloy  
Shield Plating: Nickel  
Contact Plating: Selective gold 6u"; 15u"; 30u"; 50u" Min
- Tolerances comply with F.C.C dimension requirements
- Durability: 800 mating Min
- Meets or Exceeds IEEE802.3af standards including 350uH Min OCL @100KHz 100mV 8mA DC



**广东科斯达电子科技有限公司**  
Guangdong Keside Electronic Technology Co., Ltd.  
**广东科斯达电器开关厂**  
Guangdong Keside Electrical Switch Factory

DRAWN/ DATE	设计: 李金强	SIZE: A4	UNIT: MM	PART. NO: 料号
CHECKED/ DATE	审核: 赵来锋	SCALE: 1:1	PROJECTION	REV.: 版本
APPROVED/ DATE	核准: 赵佰友	DWG. PATH	图号	SHEET: 页码