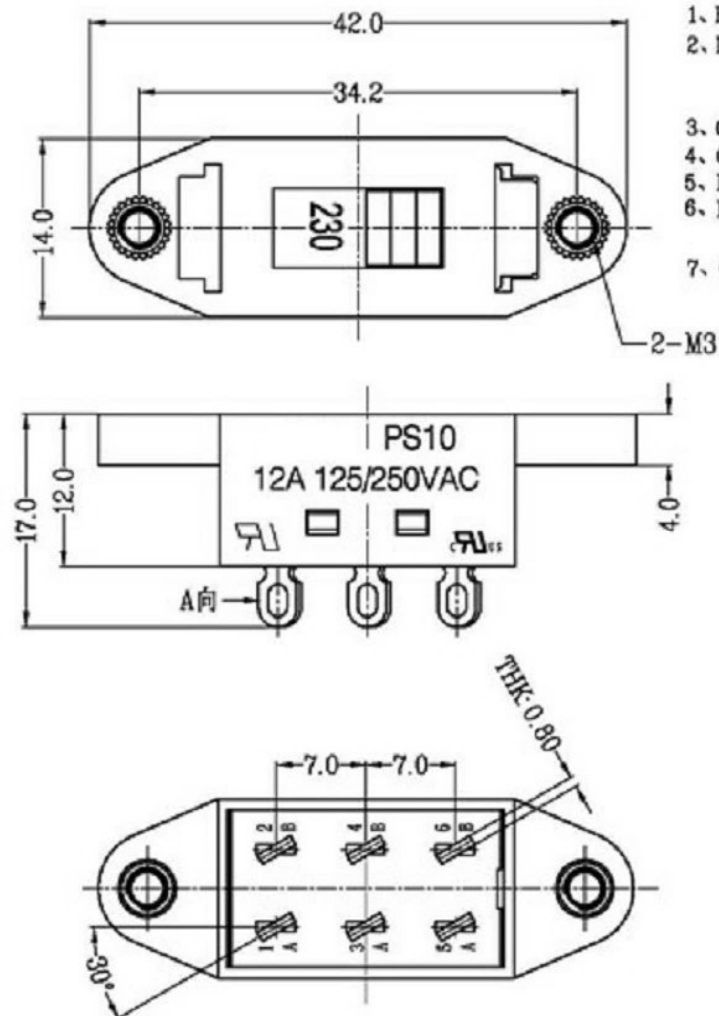
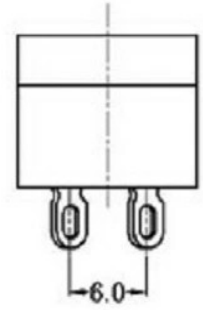
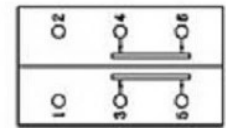




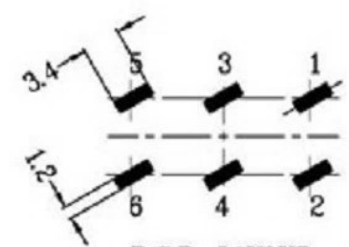
CAD FILE:



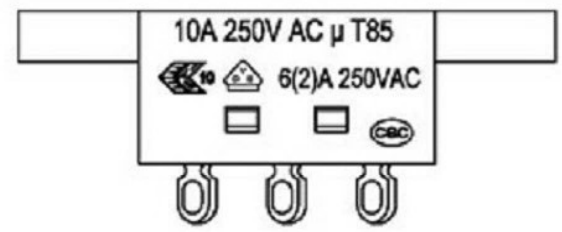
1. FUNCTION: 2P2T
2. RATING: UL: 12A 125/250VAC  
CQC: 6(2)A 250VAC  
ENEC VDE: 10A 250VAC  $\mu$  T85
3. OPERATION FORCE: 1200 $\pm$ 400g.f
4. CONTACT RESISTANCE:  $\leq$  50 m $\Omega$
5. INSULATION RESISTANCE:  $\geq$  100 M $\Omega$
6. DIELECTRIC WITHSTAND: TERMINAL TO BUTTON 3000VAC/5mA/1MIN/TUE  
TERMINAL TO TERMINAL 1500VAC/5mA/1MIN/TUE
7. CIRCUIT DIAGRAM:



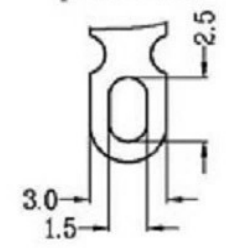
8. SUGGESTED PANEL HOLE SIZE:



P.C.B. LAYOUT



A向  
pin脚 正视图



注: "\*"表示关键尺寸(6个)

| NO. | PARTS        | MATERIALS      | Q'TY | FINISH    | TOLERANCE<br>UNLESS SPECIFIED | ISSUE      | DATE | DESCRIPTIONS OF REVISION | APPD.      |
|-----|--------------|----------------|------|-----------|-------------------------------|------------|------|--------------------------|------------|
| 8   |              |                |      |           |                               |            |      |                          |            |
| 7   | STEEL BALL   | STEEL          | 1    | NATURAL   |                               |            |      |                          |            |
| 6   | SPRING       | STEEL WIRE     | 1    | NATURAL   |                               |            |      |                          |            |
| 5   | CONTACT CLIP | PBS STRIP      | 2    | Ag PLATED |                               |            |      |                          |            |
| 4   | TERMINAL     | BRASS STRIP    | 8    | Ag PLATED |                               |            |      |                          |            |
| 3   | BASE         | PHENOLIC RESIN | 1    | NATURAL   |                               |            |      |                          |            |
| 2   | FRAME        | STEEL STRIP    | 1    | Ni PLATED |                               |            |      |                          |            |
| 1   | KNOB         | POM            | 1    | BLACK     |                               |            |      |                          |            |
|     |              |                |      |           | TITLE : VERTICAL SLIDE SWITCH | UNIT : mm  |      | DRWG NO.:                |            |
|     |              |                |      |           | MODEL:                        | SCALE: 3:1 |      | DWN.                     | 2012-10-26 |
|     |              |                |      |           | <b>广东科斯达开关厂</b>               |            |      | CHK'D                    |            |
|     |              |                |      |           |                               |            |      | APPD.                    |            |