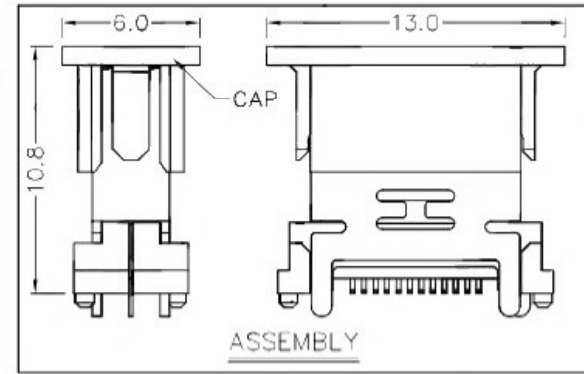
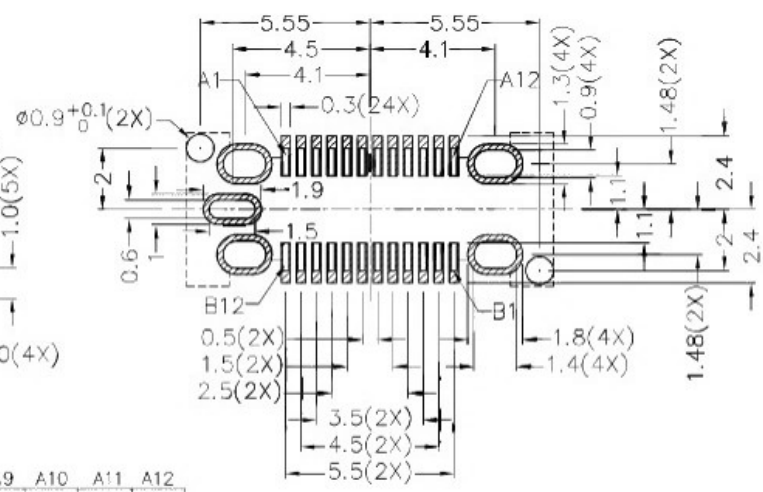
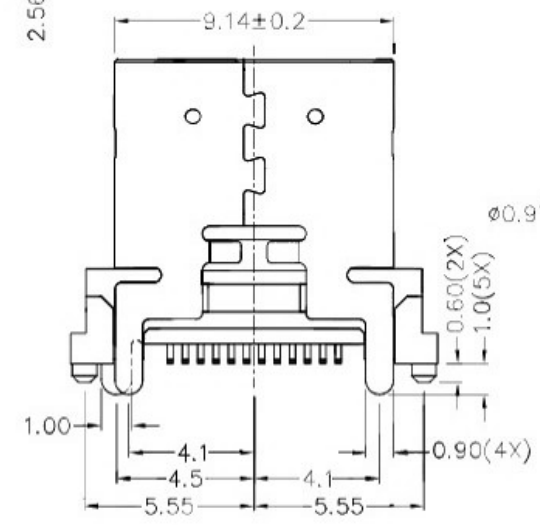
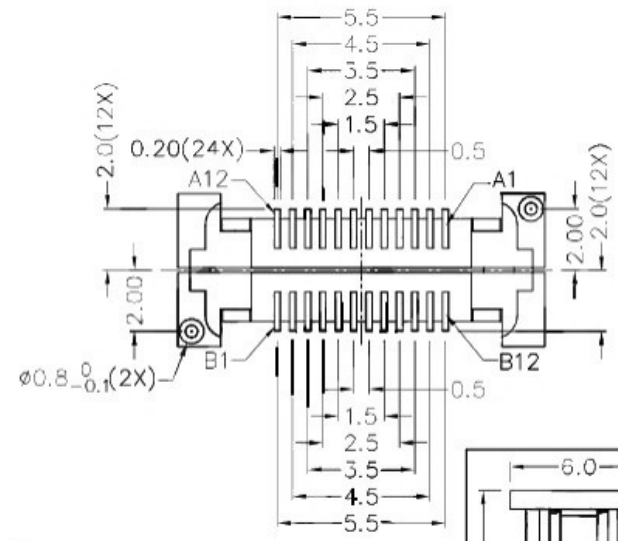
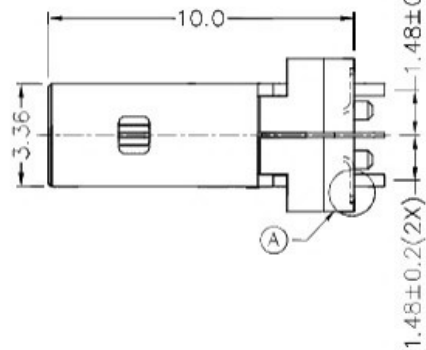
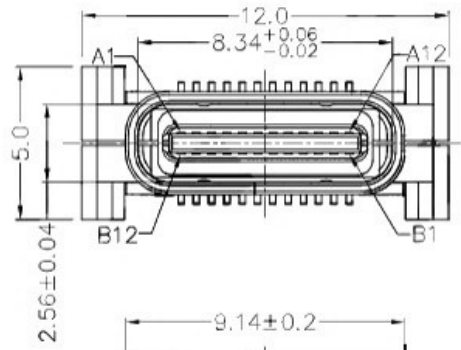
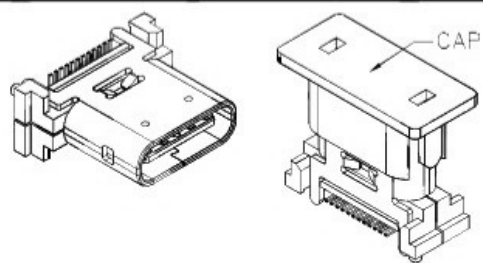


F E D C B A

ZONE	SYMBOL	REVISION	APPROVAL	DATE

RoHS
Compliant



PIN ASSIGNMENT (FRONT VIEW)

PIN NO.	A1	A2	A3	A4	A5	A6	A7	A8	A9	A10	A11	A12
	GND	TX1+	TX1-	Vbus	CC1	D+	D-	SBU1	Vbus	RX2-	RX2+	GND
PIN NO.	B12	B11	B10	B9	B8	B7	B6	B5	B4	B3	B2	B1
	GND	RX1+	RX1-	Vbus	SBU2	D-	D+	CC2	Vbus	TX2-	TX2+	GND

RECOMMENDED PCB LAYOUT
TOLERANCE: ±0.05
(TOP VIEW)

DESCRIPTION	MATERIAL	PLATING
CONTACT	COPPER ALLOY	NICKEL PLATED ON ALL AREA, GOLD FLASH ON CONTACT & SOLDER AREA
SHELL	STAINLESS STEEL	NICKEL PLATED
INNER GROUND COVER SHELL	STAINLESS STEEL	
MID. PLATE	STAINLESS STEEL	NICKEL PLATED
INSULATOR	HIGH TEMP. PLASTIC	COLOR: BLACK
CAP	HIGH TEMP. PLASTIC	COLOR: BLACK

广东科斯达开关厂

PART NAME	USB 3.1 TYPE-C VERTICAL CONNECTOR	TOLERANCE UNLESS	0.0±0.2	UNIT:	mm	DESIGN	H.L.TAN	DATE	8-12-2017	SCALE	4:1
PART NO.		OTHERWISE SPECIFIED:	0.00±0.1 0.000±0.05			DRAWING	Y.J.GUO	DATE	4-5-2018	MATERIAL	
						CHECK	T.Y.LI	DATE	4-5-2018	DWG. NO.	TZ\UBC003D-A/1.0
						APPROVAL		DATE		SHEET	

F E D C B A