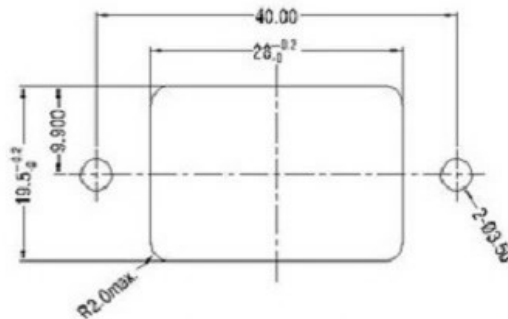
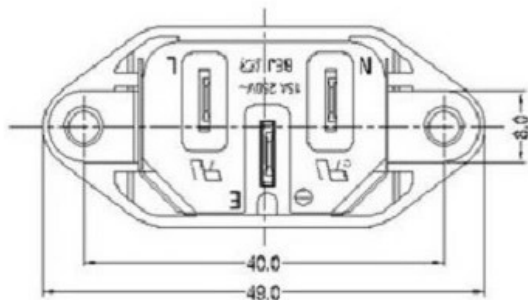
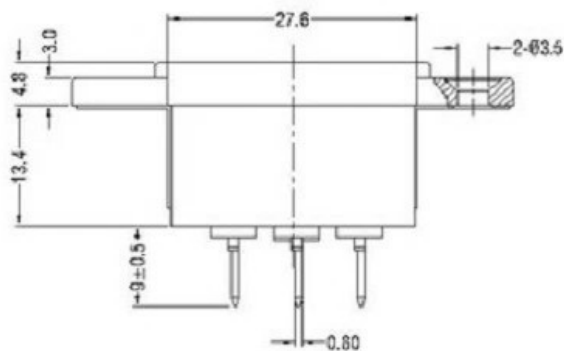
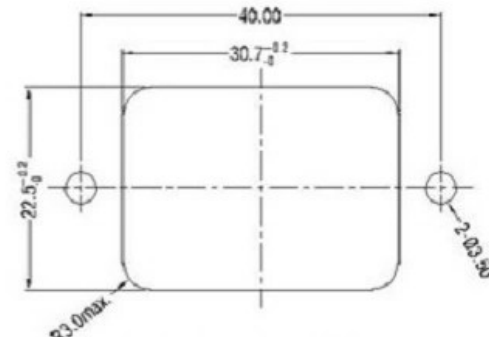


SECTION: A-A

**SPEC:**  
**A. Material:**  
 1. Housing: PBT  
 2. Terminal: COPPER ALLOY, TIN PLATED  
**B. Electrical Characteristics:**  
 1. Rating: 15A 250V~ (UL,CUL)  
 10A 250V~ (CCC,VDE,SEMKO,NEMKO,FIMKO,DEMKO,SA,KC)  
 2. Electric Strength: AC 2,000 V FOR ONE MINUTE  
 3. Insulation Resistance: 100MΩ MIN, AT 500V DC  
**C. Approvals:**  
 UL, CUL, CCC, VDE, SEMKO, NEMKO, FIMKO, DEMKO, SAA, KC



FOR REAR MOUNTING USE  
PANEL CUT-OUT



FOR FRONT MOUNTING USE  
PANEL CUT-OUT

				普通公差 COMMON TOLERANCE :	 <b>广东科斯达电子科技有限公司</b> Guang dong Keside Electronic Technology Co., Ltd.					
				UP TO 5 ±0.20					单位 UNIT	mm
				ABOVE 5 TO 30 ±0.30	绘图 DRAWN BY	林晓良	核对 CHECKED BY	张平	型号 MODEL NO.	
				ABOVE 30 ±0.50	日期 DATE	19. 08. 12	核准 APPROVAL BY	周培雷	料号 PART NO.	KSD-AC JACK
REV.	DATE	REVISION DESCRIPTION	ISSUE	ANGULAR ±5°						