

F

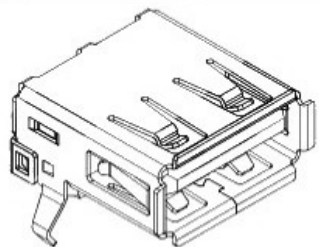
E

D

C

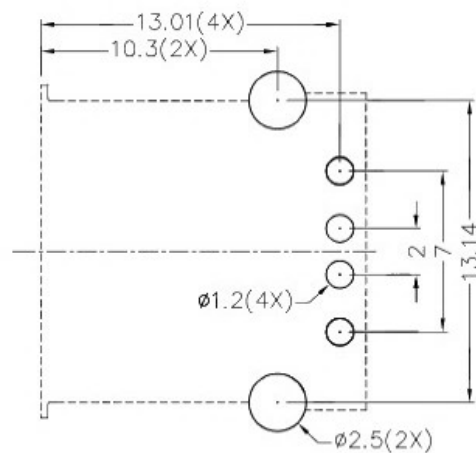
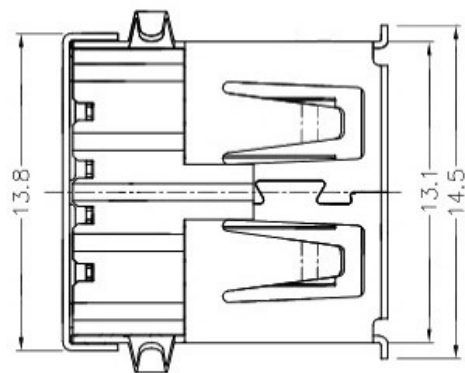
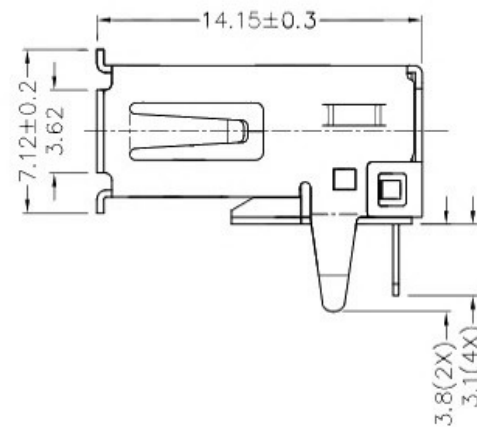
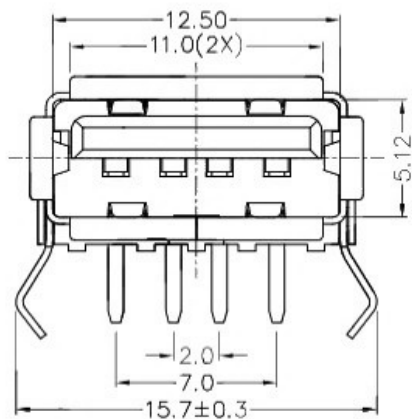
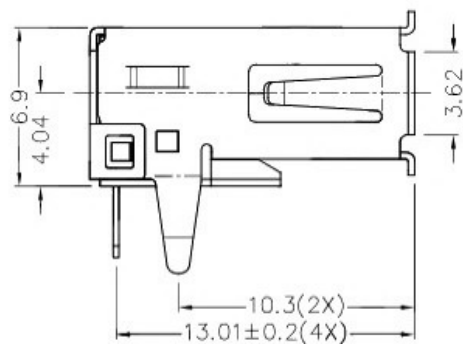
B

A




ZONE	SYMBOL	REVISION	APPROVAL	DATE

RoHS  
Compliant



RECOMMENDED PCB LAYOUT  
TOLERANCE:  $\pm 0.05$   
(TOP VIEW)

DESCRIPTION	MATERIAL	PLATING
TERMINALS	COPPER ALLOY	GOLD FLASH ON CONTACT AREA MATTE Sn 80u" ON SOLDER TAILALL Ni 30u" PLATING
SHIELD	BRASS	Ni: 50u" Min.
HOUSING	THERMOPLASTIC	

 广东科斯达开关厂

DESIGN	X.N.ZHENG	DATE	27-2-2008	SCALE	3:1
DRAWING	G.P.YI	DATE	20-3-2017	MATERIAL	
CHECK	T.Y.LI	DATE	20-3-2017	DWG. NO.	TZ\UB001-B/1.0
APPROVAL		DATE		SHEET	

PART NAME	USB CONNECTOR A TYPE	TOLERANCE UNLESS	0.0±0.2	UNIT: 
PART NO.		OTHERWISE SPECIFIED:	0.00±0.1 0.000±0.05	

F

E

D

C

B

A