

F

E

D

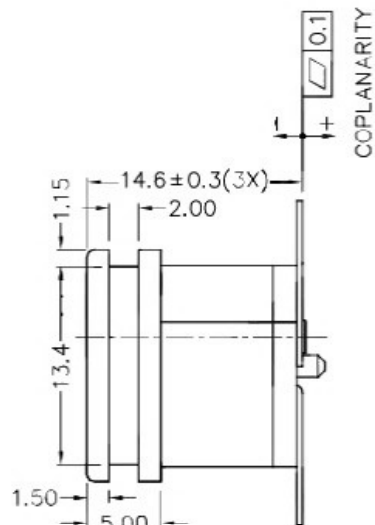
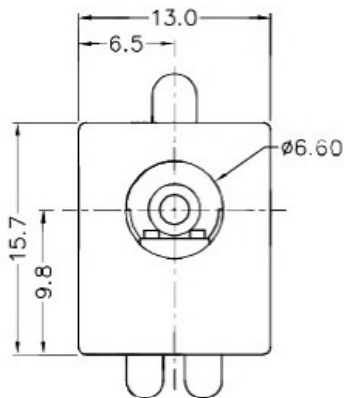
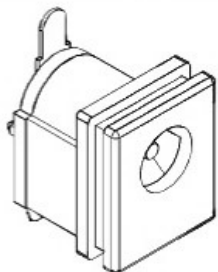
C

B

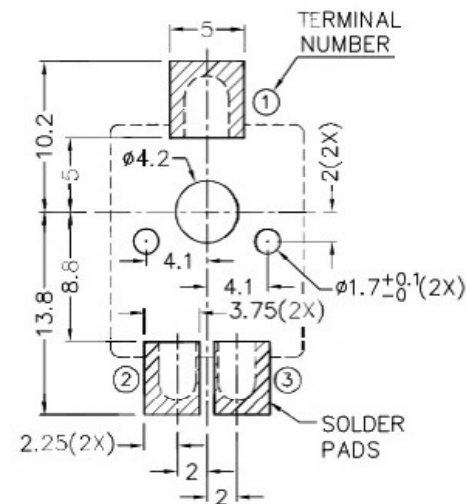
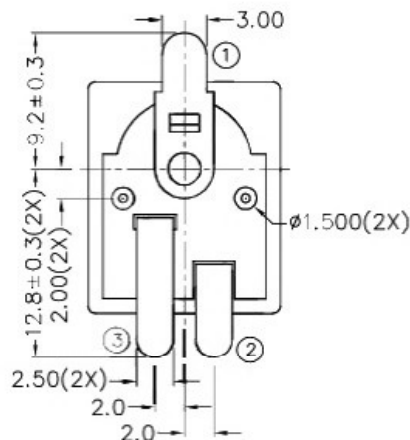
A

ZONE	SYMBOL	REVISION	APPROVAL	DATE

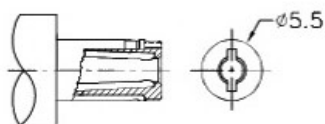
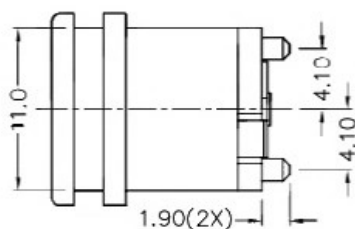
RoHS  
Compliant



COPLANARITY



RECOMMENDED PCB LAYOUT  
TOLERANCE:  $\pm 0.05$   
(TOP VIEW)



DC MATE PLUG

SCHEMATIC	
CENTER PIN	$\phi 2\text{mm}$
	$\phi 2.5\text{mm}$

\* MATERIAL

CENTRE PIN : COPPER  
TERMINAL 1 : BRASS  
TERMINAL 2 : COPPER ALLOY  
TERMINAL 3 : BRASS  
HOUSING : HIGH TEMP. PLASTIC  
COVER : HIGH TEMP. PLASTIC

广东科斯达开关厂

DESIGN	L.L.ZHANG	DATE	14-10-2005	SCALE	2:1
DRAWING	T.Y.LI	DATE	16-8-2016	MATERIAL	*
CHECK	H.L.TAN	DATE	16-8-2016	DWG. NO.	TZ\DC025H-A/1.0
APPROVAL		DATE	16-8-2016	SHEET	
PART NAME	HIGH CURRENT SMD DC POWER SOCKET		TOLERANCE UNLESS	0.0±0.2	UNIT:
PART NO.			OTHERWISE SPECIFIED:	0.00±0.1 0.000±0.05	

F

E

D

C

B

A