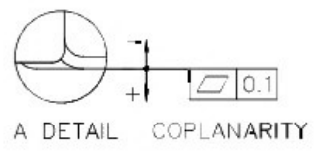
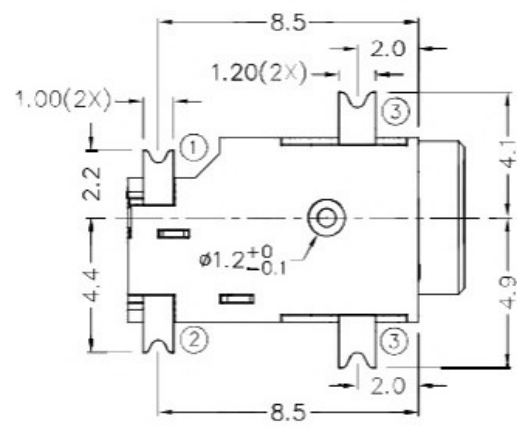
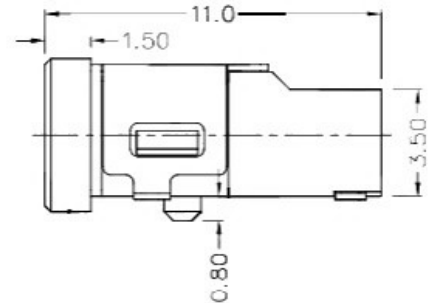
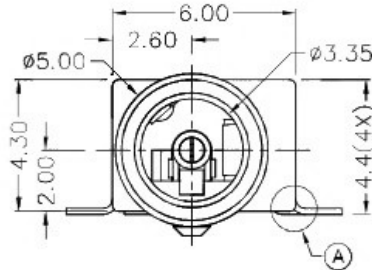
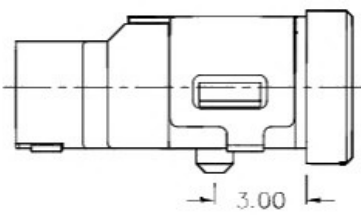
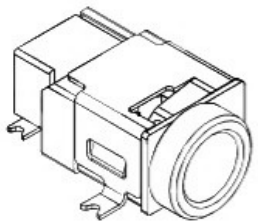
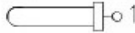




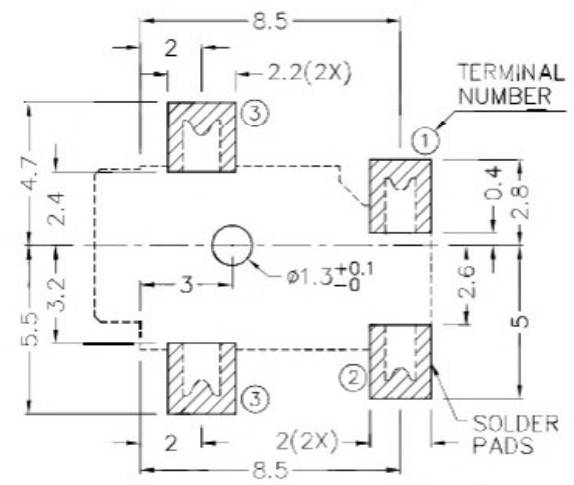
ZONE	SYMBOL	REVISION	APPROVAL	DATE
		ADJUST THE RECOMMENDED DC MATING PLUG	J.X.KUANG	8-10-2019

RoHS
Compliant

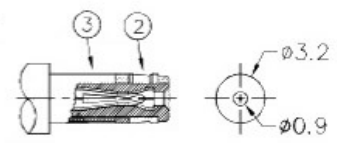


*** MATERIAL**
 TERMINAL 1 : BRASS
 TERMINAL 2 : COPPER ALLOY
 TERMINAL 3 : COPPER ALLOY
 HOUSING : HIGH TEMP. PLASTIC

SCHEMATIC	 1
	 2
	 3
CENTER PIN	∅0.800mm




RECOMMENDED PCB LAYOUT
 TOLERANCE: ±0.05
 (TOP VIEW)



RECOMMENDED
 DC MATING PLUG

 广东科斯达开关厂

PART NAME		SMD DC POWER SOCKET		TOLERANCE UNLESS 0.0±0.2		UNIT: 		DESIGN	J.X.KUANG	DATE	11-5-2004	SCALE	4:1
PART NO.				OTHERWISE SPECIFIED: 0.00±0.1				DRAWING	H.Q.ZHOU	DATE	8-10-2019	MATERIAL	*
				0.000±0.05				CHECK	H.L.TAN	DATE	8-10-2019	DWG. NO.	TZ\DC043D-A/1.1
								APPROVAL		DATE		SHEET	

F E D C B A