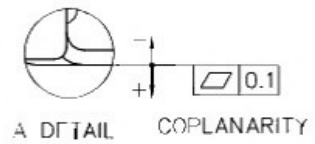
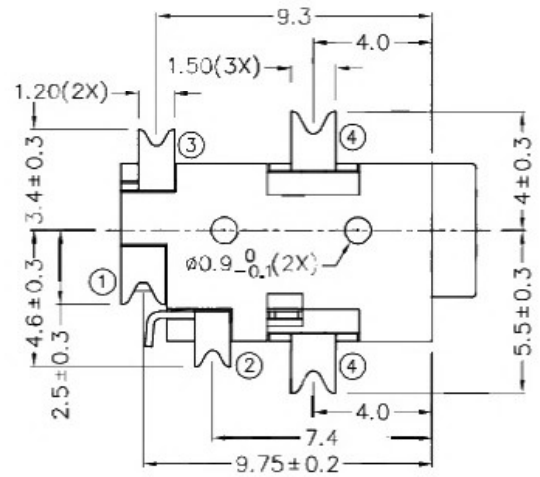
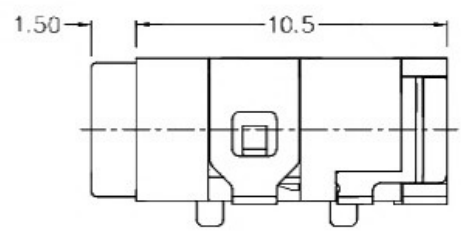
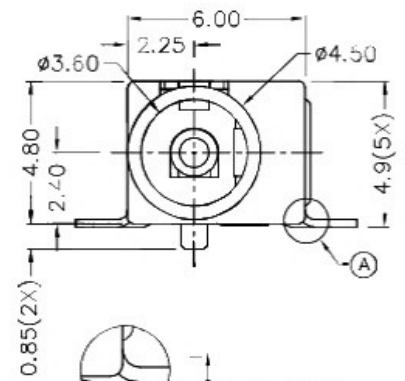
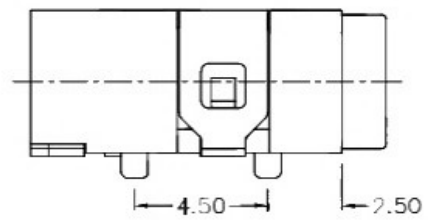
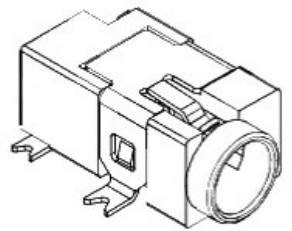
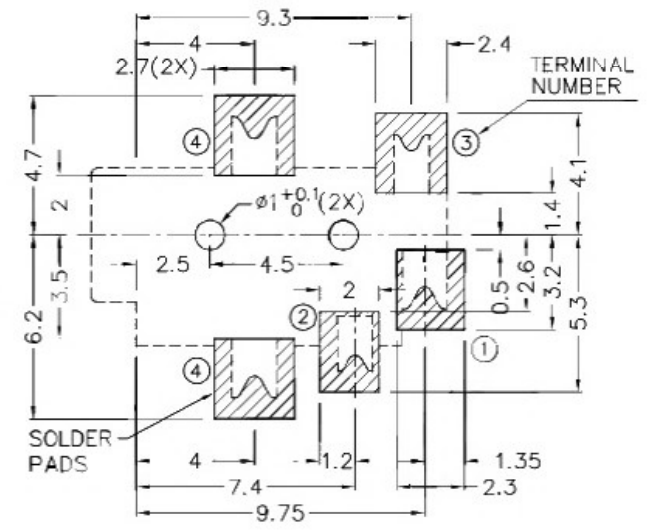
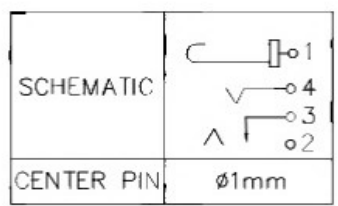


C		B		A	
ZONE	SYMBOL	REVISION	APPROVAL	DATE	

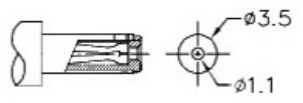
RoHS
Compliant



*** MATERIAL**
 TERMINAL 1 : BRASS
 TERMINAL 2 : COPPER ALLOY
 TERMINAL 3 : BRASS
 TERMINAL 4 : COPPER ALLOY
 HOUSING : HIGH TEMP. PLASTIC



RECOMMENDED PCB LAYOUT
 TOLERANCE: ±0.05
 (TOP VIEW)



DC MATE PLUG

广东科斯达开关厂

DESIGN	T.Y.LI	DATE	3-4-2004	SCALE	4:1
DRAWING	J.CH.OU	DATE	25-8-2016	MATERIAL	*
CHECK	H.L.TAN	DATE	25-8-2016	DWG. NO.	TZ\DC0530-A/1.0
APPROVAL	<i>[Signature]</i>	DATE	25-8-2016	SHEET	

PART NAME	SMD DC POWER SOCKET	TOLERANCE UNLESS	0.0±0.2	UNIT:	mm
PART NO.		OTHERWISE SPECIFIED:	0.00±0.1 0.000±0.05		