

F

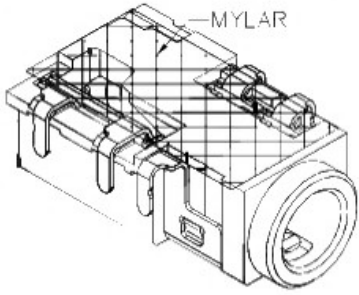
E

D

C

B

A



RoHS
Compliant

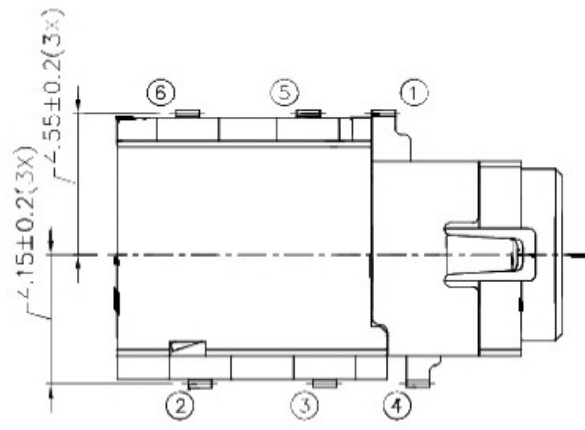
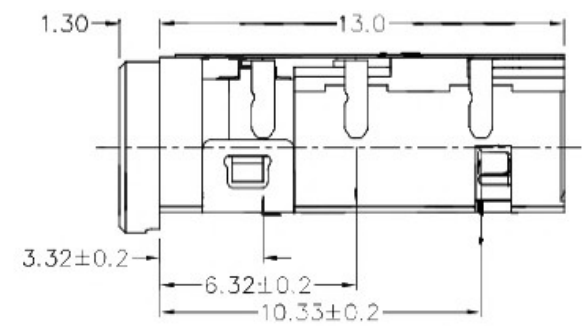
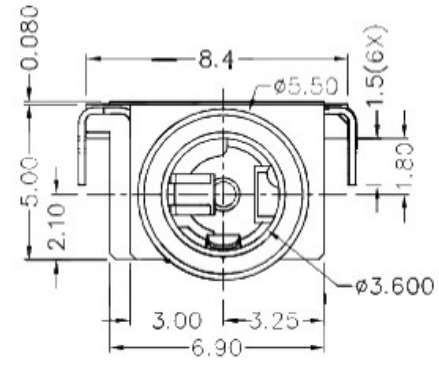
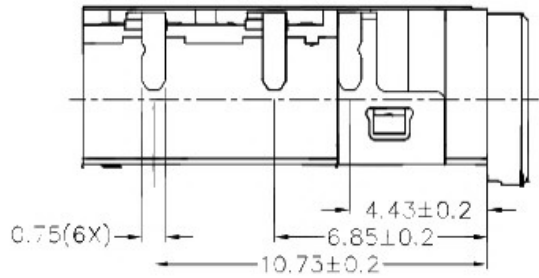
ZONE	SYMBOL	REVISION	APPROVAL	DATE
		UPDATE THE DRAWING	J.X.KUANG	30-7-2018

1

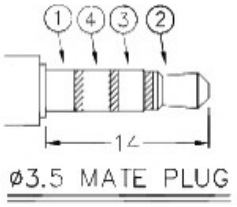
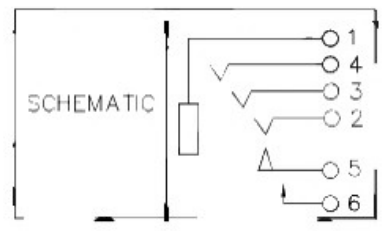
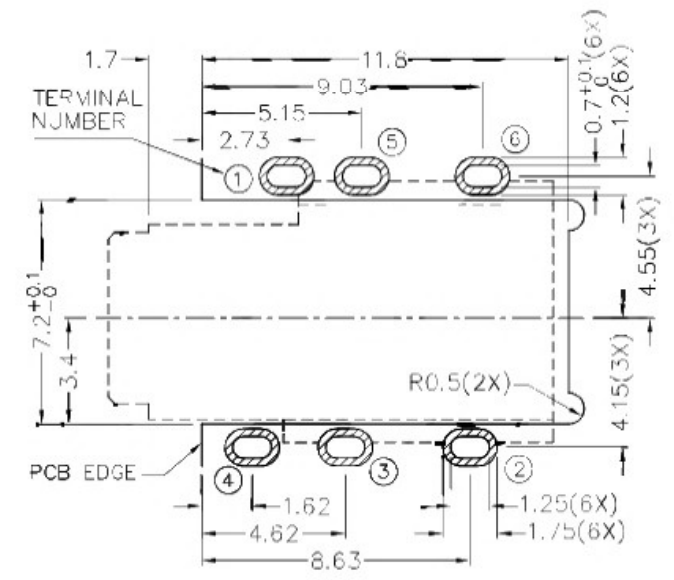
1

2

2



- * MATERIAL
- TERMINAL 1 : COPPER ALLOY
 - TERMINAL 2 : COPPER ALLOY
 - TERMINAL 3 : COPPER ALLOY
 - TERMINAL 4 : COPPER ALLOY
 - TERMINAL 5 : COPPER ALLOY
 - TERMINAL 6 : COPPER ALLOY
 - HOUSING : HIGH TEMP. PLASTIC
 - INSULATOR : HIGH TEMP. PLASTIC
 - MYLAR : POLYIMIDE



RECOMMENDED PCB LAYOUT
TOLERANCE: ±0.05
(TOP VIEW)

3

3

4

4

广东科斯达开关厂

DESIGN	G.P.YI	DATE	17-4-2013	SCALE	4:1
DRAWING	J.H.7-HOU	DATE	30-7-2018	MATERIAL	*
CHECK	T.Y.LI	DATE	30-7-2018	DWG. NO.	TZ\5-587DT1-A/1.1
APPROVAL		DATE		SHEET	

PART NAME	3.5mm SMD STEREO JACK	TOLERANCE UNLESS	0.0±0.2	UNIT:	mm
PART NO.		OTHERWISE SPECIFIED:	0.00±0.1 0.000=0.05		

F

E

D

C

B

A