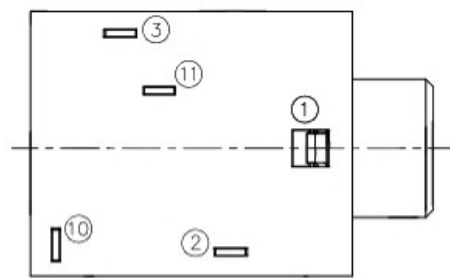
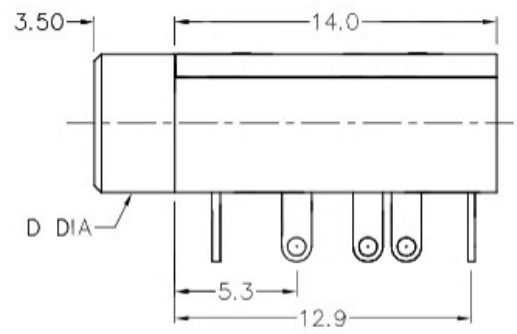
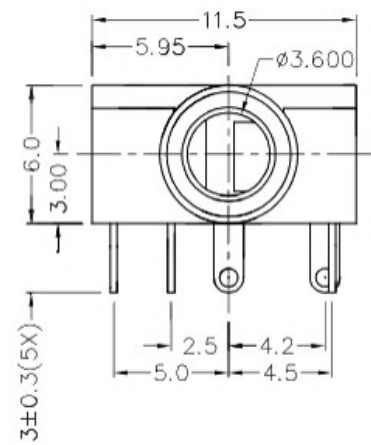
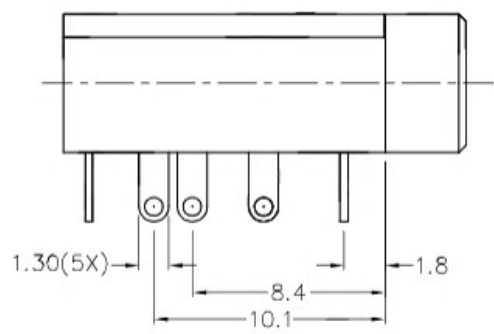
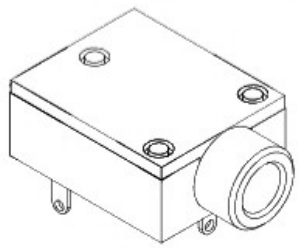
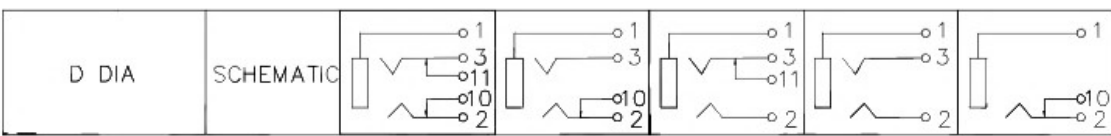
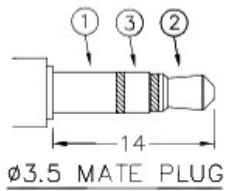
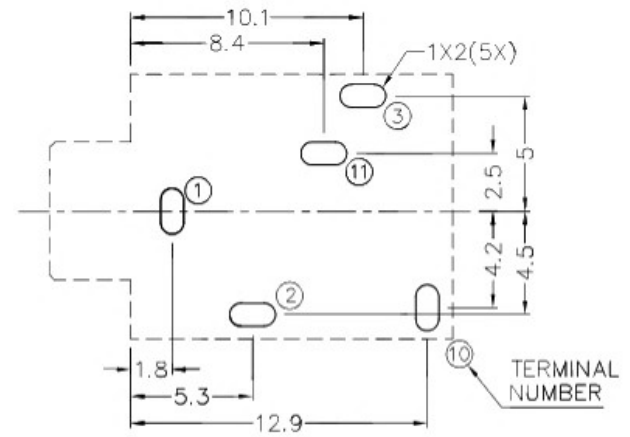


C		B		A	
ZONE	SYMBOL	REVISION		APPROVAL	DATE

RoHS
Compliant



- *MATERIAL
- TERMINAL 1 : BRASS
 - TERMINAL 2 : BRASS
 - TERMINAL 3 : BRASS
 - TERMINAL 10 : BRASS
 - TERMINAL 11 : BRASS
 - BUSHING : BRASS
 - HOUSING : THERMOPLASTIC
 - COVER : THERMOPLASTIC
 - SPRING : STAINLESS STEEL



RECOMMENDED PCB LAYOUT
TOLERANCE: ±0.05
(TOP VIEW)

广东科斯达开关厂

DESIGN	J.M.KWAN	DATE	6-10-2003	SCALE	3:1
DRAWING	H.Q.ZHOU	DATE	5-12-2016	MATERIAL	*
CHECK	T.Y.LI	DATE	5-12-2016	DWG. NO.	TZ\SH352-B/1.0
APPROVAL		DATE		SHEET	

PART NAME	3.5mm STEREO JACK	TOLERANCE UNLESS	0.0±0.2	UNIT:	mm
PART NO.		OTHERWISE SPECIFIED:	0.00±0.1 0.000±0.05		

F E D C B A