

F

E

D

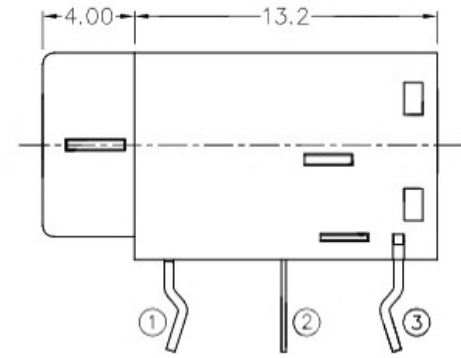
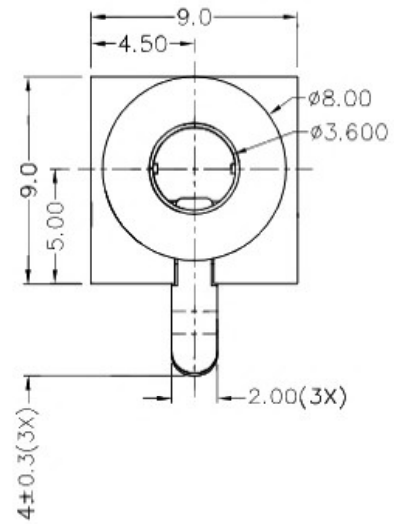
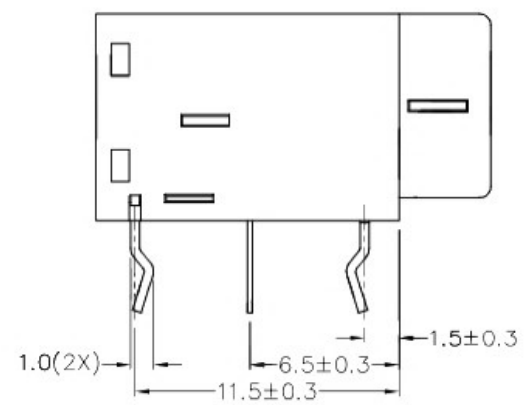
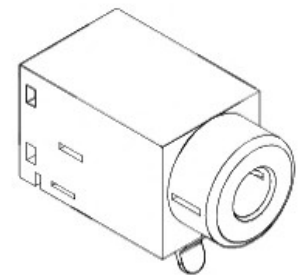
C

B

A

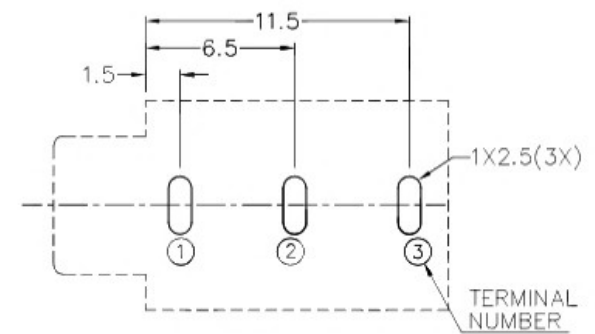
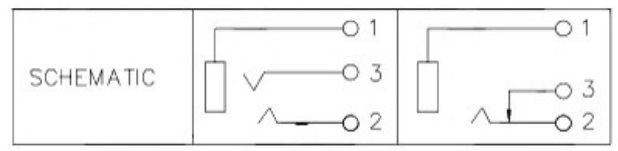
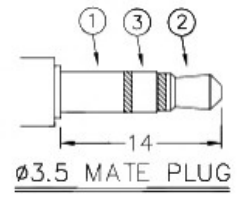
ZONE	SYMBOL	REVISION	APPROVAL	DATE

RoHS
Compliant




* MATERIAL

- TERMINAL 1 : BRASS
- TERMINAL 2 : COPPER ALLOY
- TERMINAL 3 : BRASS
- HOUSING : THERMOPLASTIC



RECOMMENDED PCB LAYOUT
TOLERANCE: ±0.05
(TOP VIEW)

 **广东科斯达开关厂**

PART NAME		3.5mm STEREO JACK	TOLERANCE UNLESS	0.0±0.2	UNIT: 	DESIGN	J.X.KUANG	DATE	6-10-2003	SCALE	3:1
PART NO.		TSH-358	OTHERWISE SPECIFIED:	0.00±0.1 0.000±0.05		DRAWING	T.Y.LI	DATE	16-12-2016	MATERIAL	*
					CHECK	H.L.TAN	DATE	16-12-2016	DWG. NO.	TZ\SH358-B/1.0	
					APPROVAL		DATE		SHEET		

F

E

D

C

B

A