

F

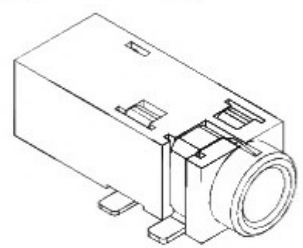
E

D

C

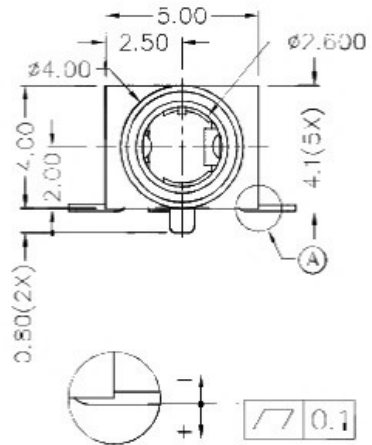
B

A



ZONE	SYMBOL	REVISION	APPROVAL	DATE
		UPDATE 3D	J.X.KUANG	26-12-2017

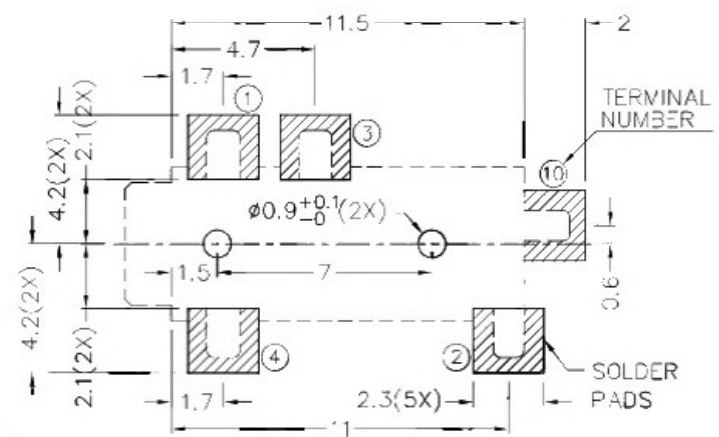
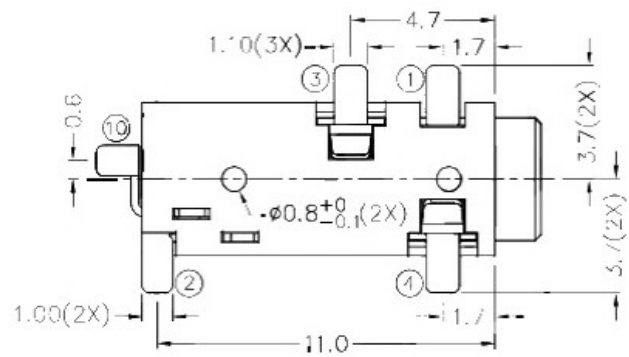
RoHS
Compliant



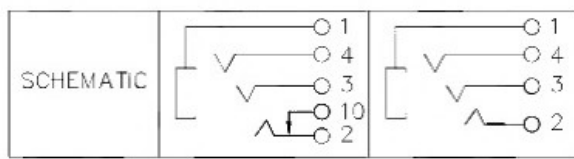
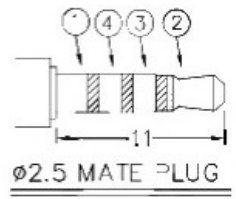
A DETAIL COPLANARITY

* MATERIAL

- TERMINAL 1 : COPPER ALLOY
- TERMINAL 2 : COPPER ALLOY
- TERMINAL 3 : COPPER ALLOY
- TERMINAL 4 : COPPER ALLOY
- TERMINAL 10 : BRASS
- HOUSING : HIGH TEMP. P. ASTIC



RECOMMENDED PCB LAYOUT
TOLERANCE: ±0.05
(TOP VIEW)



广东科斯达开关厂

DESIGN	J.X.KUANG	DATE	13-12-2003	SCALE	4:1
DRAWING	T.Y.LI	DATE	26-12-2017	MATERIAL	*
CHECK	H.L.TAN	DATE	26-12-2017	DWG. NO.	TZ\TC276D-A/2.1
APPROVAL		DATE		SHEET	

PART NAME	2.5mm SMD STEREO JACK	TOLERANCE UNLESS	0.0±0.2	UNIT:	mm
PART NO.		OTHERWISE SPECIFIED:	0.00±0.1 0.000±0.05		

F

E

D

C

B

A