

F

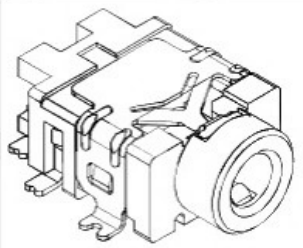
E

D

C

B

A

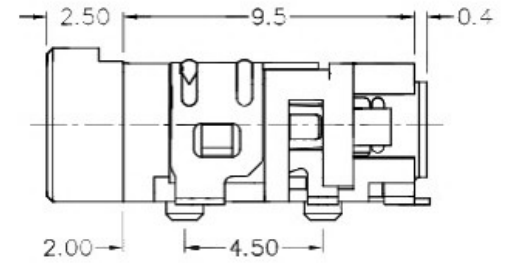
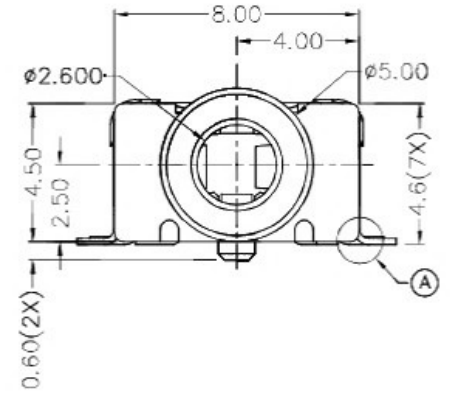
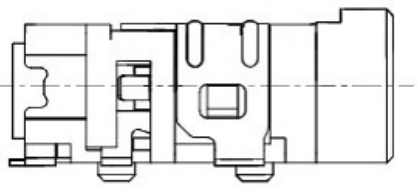


RoHS  
Compliant

ZONE	SYMBOL	REVISION	APPROVAL	DATE

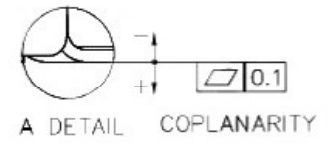
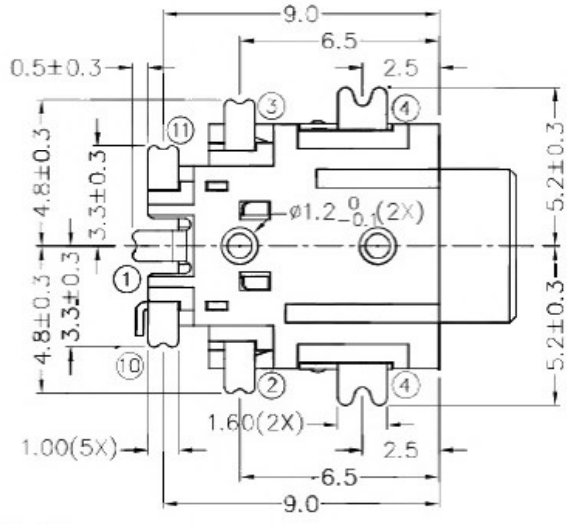
1

1

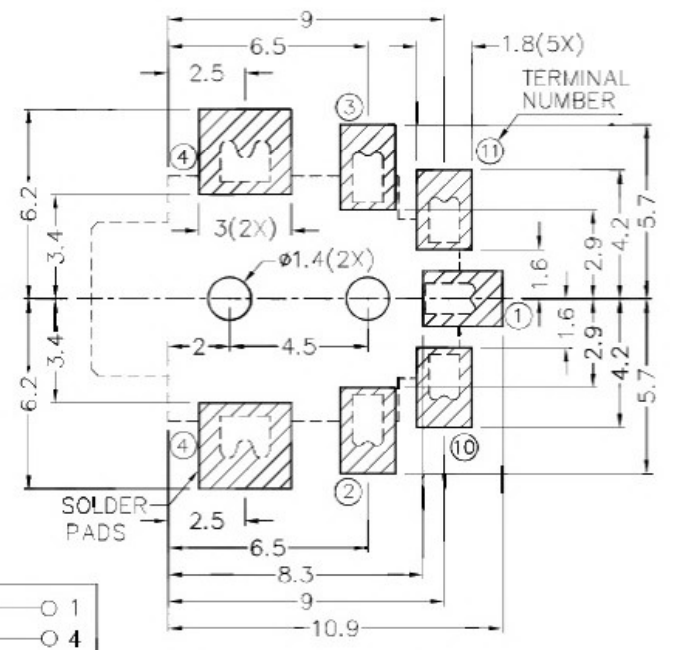


2

2

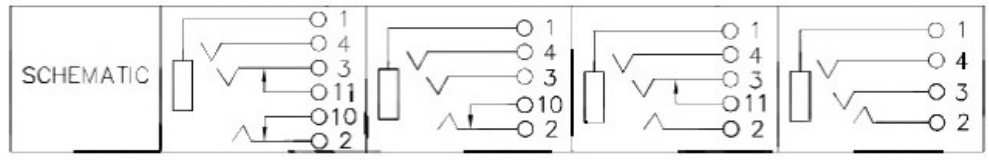
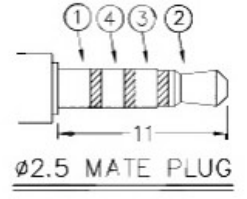


**\* MATERIAL**  
 TERMINAL 1 : COPPER ALLOY  
 TERMINAL 2 : COPPER ALLOY  
 TERMINAL 3 : COPPER ALLOY  
 TERMINAL 4 : COPPER ALLOY  
 TERMINAL 10: BRASS  
 TERMINAL 11: BRASS  
 HOUSING : HIGH TEMP. PLASTIC



3

3



RECOMMENDED PCB LAYOUT  
 TOLERANCE: ±0.05  
 (TOP VIEW)

4

4

**广东科斯达开关厂**

DESIGN	T.Y.LI	DATE	6-4-2004	SCALE	4:1
DRAWING	Y.J.GUO	DATE	2-3-2017	MATERIAL	*
CHECK	H.L.TAN	DATE	2-3-2017	DWG. NO.	TZ\TG270D-A/1.0
APPROVAL		DATE		SHEET	

PART NAME	2.5mm SMD STEREO JACK	TOLERANCE UNLESS	0.0±0.2	UNIT:	mm
PART NO.		OTHERWISE SPECIFIED:	0.00±0.1 0.000±0.05		

F

E

D

C

B

A