

F

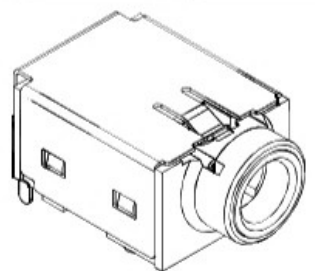
E

D

C

B

A



RoHS
Compliant

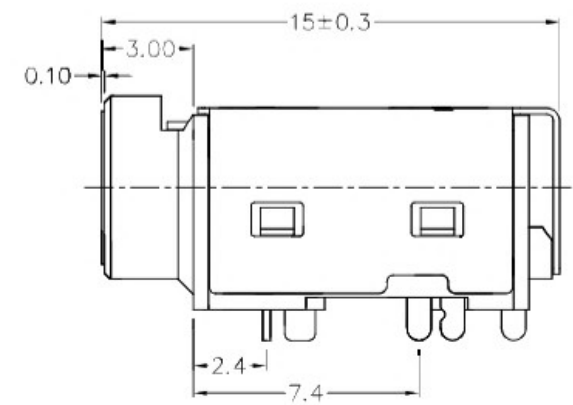
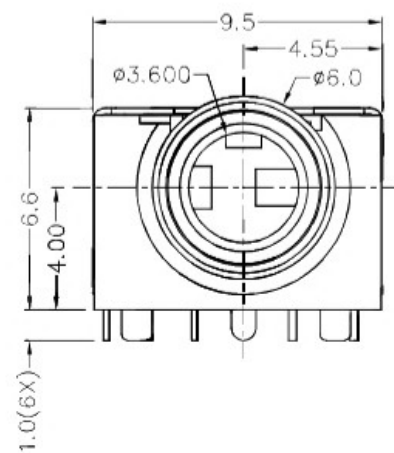
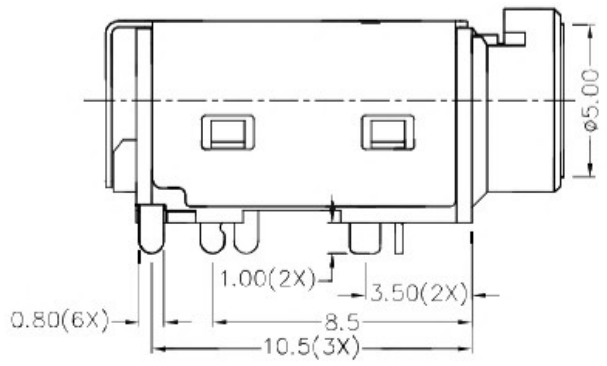
ZONE	SYMBOL	REVISION	APPROVAL	DATE

1

1

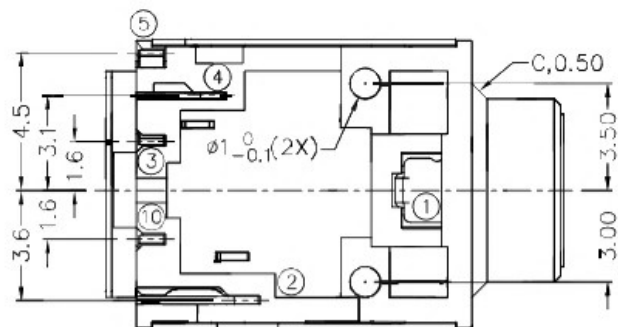
2

2



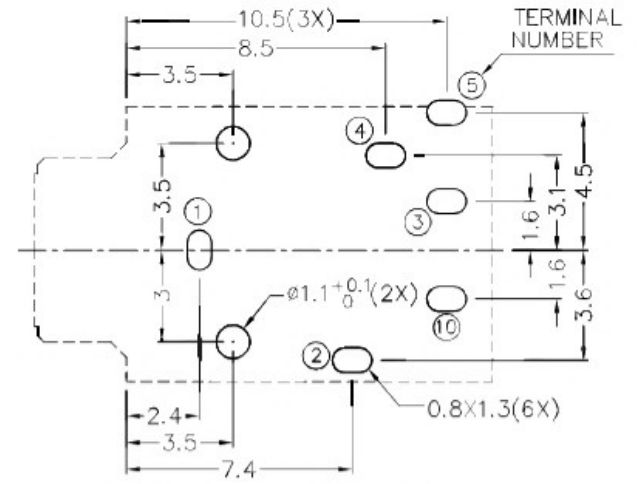
3

3



* MATERIAL

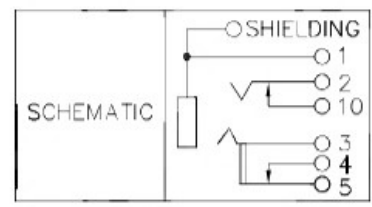
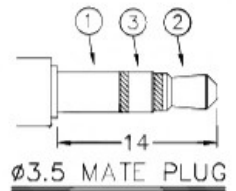
- TERMINAL 1 : COPPER ALLOY
- TERMINAL 2 : COPPER ALLOY
- TERMINAL 3 : COPPER ALLOY
- TERMINAL 4 : COPPER ALLOY
- TERMINAL 5 : COPPER ALLOY
- TERMINAL 10 : BRASS
- SHIELD : COPPER ALLOY
- BUSHING : BRASS
- HOUSING : HIGH TEMP. PLASTIC



RECOMMENDED PCB LAYOUT
TOLERANCE: ±0.05
(TOP VIEW)


4

4



 **广东科斯达开关厂**

DESIGN	H.L.TAN	DATE	13-6-2011	SCALE	4:1
DRAWING	J.H.ZHOU	DATE	12-1-2017	MATERIAL	*
CHECK	T.Y.LI	DATE	12-1-2017	DWG. NO.	TZ\SH513S-2-A/1.0
APPROVAL		DATE		SHEET	

PART NAME	3.5mm STEREO JACK	TOLERANCE UNLESS	0.0±0.2	UNIT: 
PART NO.		OTHERWISE SPECIFIED:	0.00±0.1 0.000±0.05	

F

E

D

C

B

A