

F

E

D

C

B

A

1

1



OFF



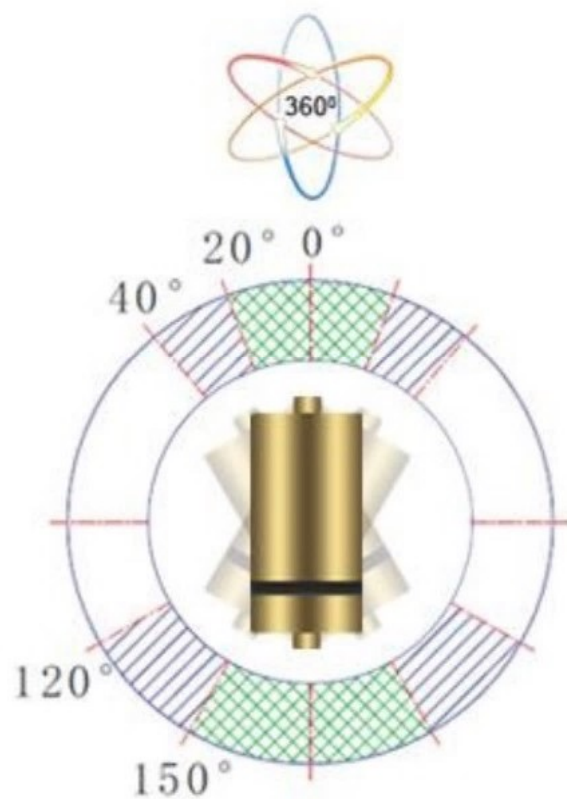
ON



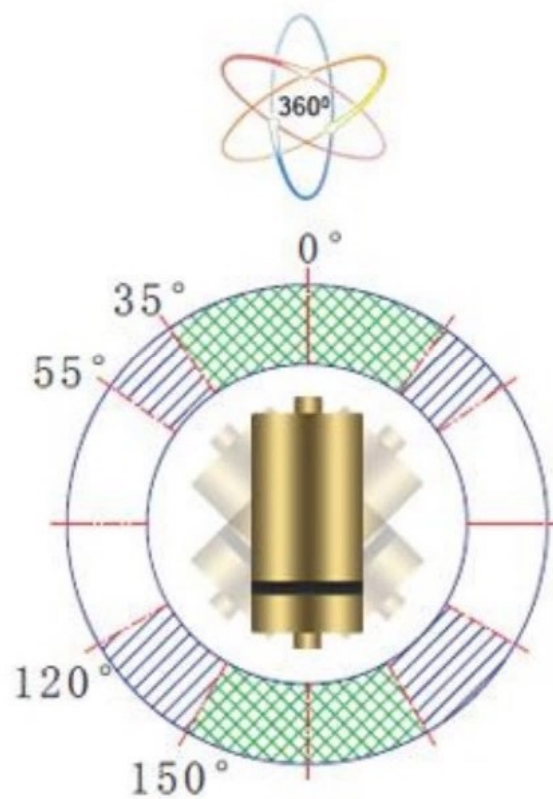
不确认状态

2

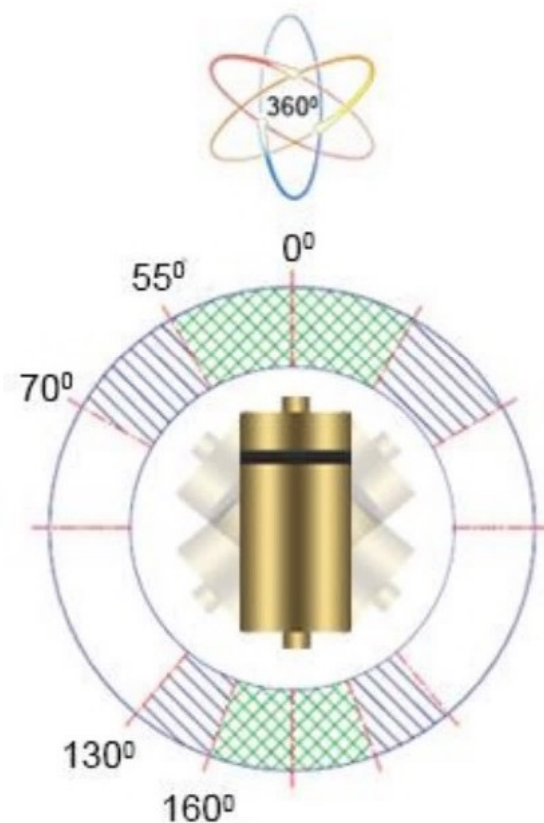
2



30度倾斜



45度倾斜



60度倾斜

4

4



广东科斯达电子科技有限公司
Guangdong Keside Electronic Technology Co., Ltd.

COPYRIGHT RESERVED, PLEASE DO NOT COPY.

PART NAME		TILT SENSOR SWITCH		DRAWING	G.C.Chen	DWG.No.	SBIRB6
PART NO.				CHECK	G.C.Chen	REV.	A
	UNIT:	TOLERANCE	UP TO 5	±0.2	ANGLE	APPROVAL	DATE
	mm		OTHERWISE	ABOVE 5~30			±0.3
			ANGLE	±3'		5:1	PAGE
							1 OF 1

F

E

D

C

B

A