

F

E

D

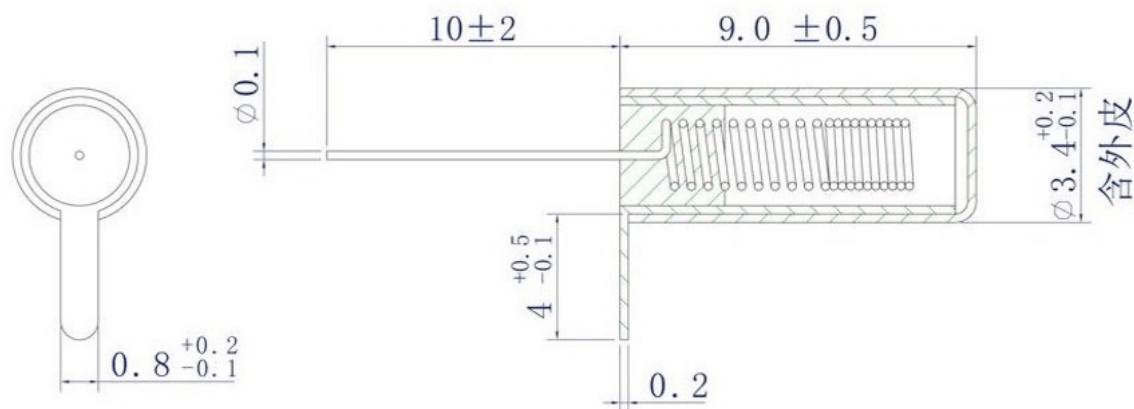
C

B

A

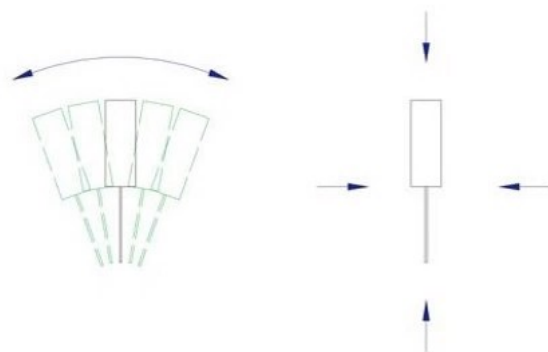
1

1



2

2



受外力碰触或摇晃而瞬间导通

- 外管体：Brass ,nickel-plated ▶ 电压：1.5-12V  
 弹簧：Stainless steel ▶ 电流：<20mA  
 铜管：Brass ,silver-plated ▶ 导通时间：about 2ms  
 封口胶：epoxy resin ▶ 闭路电阻：<30 ohm  
 焊接温度：260°C±10°C ▶ 开路电阻：>10M ohm  
 操作寿命：200,000 cycles ▶ 耐温:Operating: -40°C to 80°C  
 不可使用强酸，碱性助焊剂。 ▶ 端子拉力:300gf for 1 minute  
 ▶ 湿度:95% RH, 40°C for 96 hours

3

3

4

4



广东科斯达电子科技有限公司  
Guang dong Keside Electronic Technology Co., Ltd.

COPYRIGHT RESERVED,PLEASE DO NOT COPY.

PART NAME		TILT SENSOR SWTICH		DRAWING		G.C.Chen	DWG.No.	SBIRB6
PART NO.				CHECK		G.C.Chen	REV.	A
UNIT: mm	TOLERANCE	UP TO 5	±0.2	ANGLE	APPROVAL	DATE		
	OTHERWISE	ABOVE 5~30	±0.3			SCALE	5:1	PAGE
		ABOVE 30	±0.5	0°±3'				

F

E

D

C

B

A