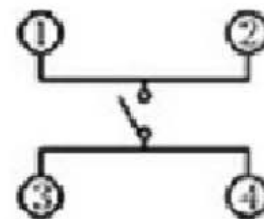
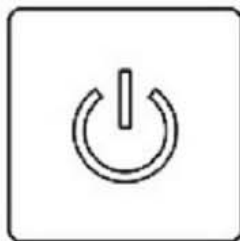
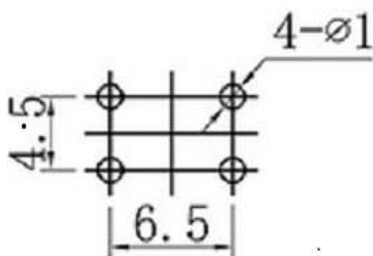
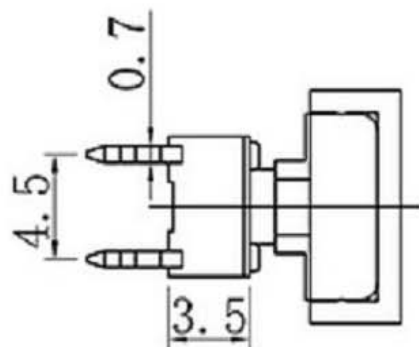
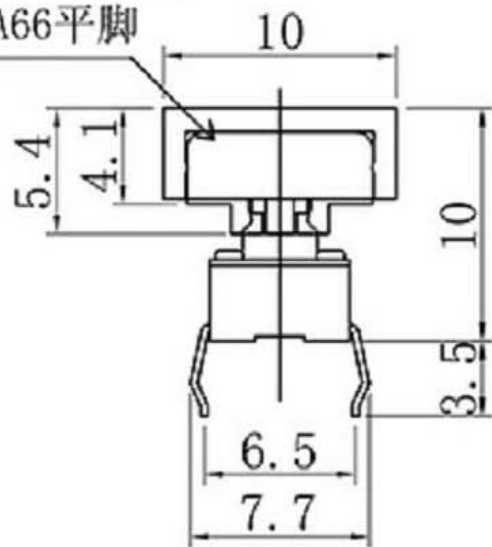


外盖: A66透明盖

内盖: A66平脚



SCHEMATIC

SPECIFICATIONS

1. RATING : 0.5mA 12VDC MAX .
2. CONTACT RESISTANCE : 100 mΩ MAX .
3. INSULATION RESISTANCE : 500 V DC , 100 MΩ MIN
4. OPERATING TEMPERATURE : -20℃ ~ 70℃ .
5. OPERATING FORCE : 160±50gf . 250±50gf
6. OPERATING LIFE : 100,000 CYCLES .

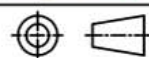


广东科斯达开关厂

TITLE : TACTILE SWITCH

MODEL :

DRAWING NO. : -



| | | | | |
|---------------|--------|-------|------------|--------------------|
| UNIT : M M | DWN. | LSX | 2015-02-18 | GENERAL TOLERANCE |
| SCALE : 5 : 1 | CHK'D | LJ | 2015-02-18 | WITHIN 1.5mm±0.1mm |
| LEVEL 1 | REV R1 | APPD. | CC | 2015-02-18 |
| | | | | OVER 1.5mm±0.2mm |

| | | | | |
|-----|-----------|-------------|------|---------------|
| 9 | | | | |
| 8 | | | | |
| 7 | | | | |
| 6 | CAP | ABS/PC | 1 | SLIVER /BLACK |
| 5 | CONTACT | PBS | 1 | Ag CLAD |
| 4 | TERMINAL | BRASS STRIP | 4 | Ag PLATED |
| 3 | BASE | PA66 | 1 | BLACK |
| 2 | COVER | PET | 1 | NATURAL |
| 1 | KNOB | PA66 | 1 | WHITE |
| NO. | PART NAME | MATERIAL | QTY. | FINISHING |