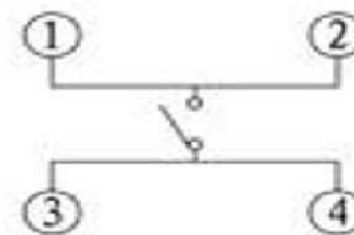
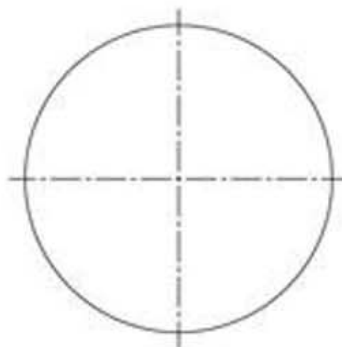
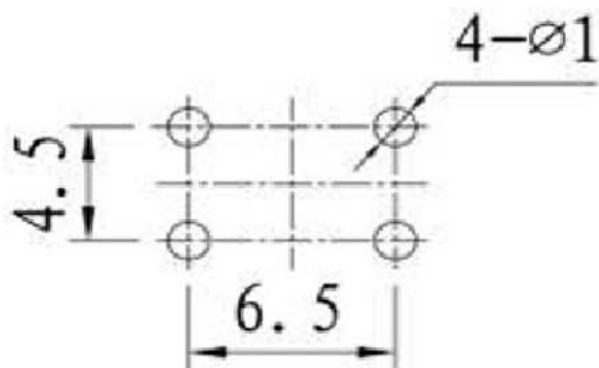
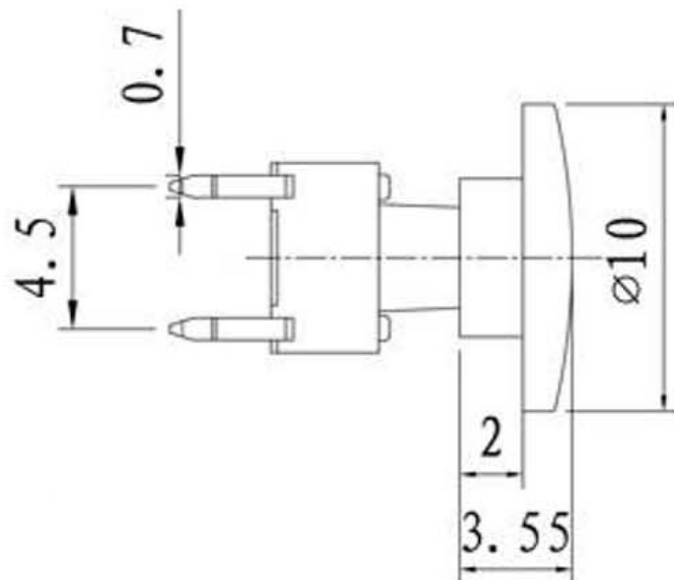
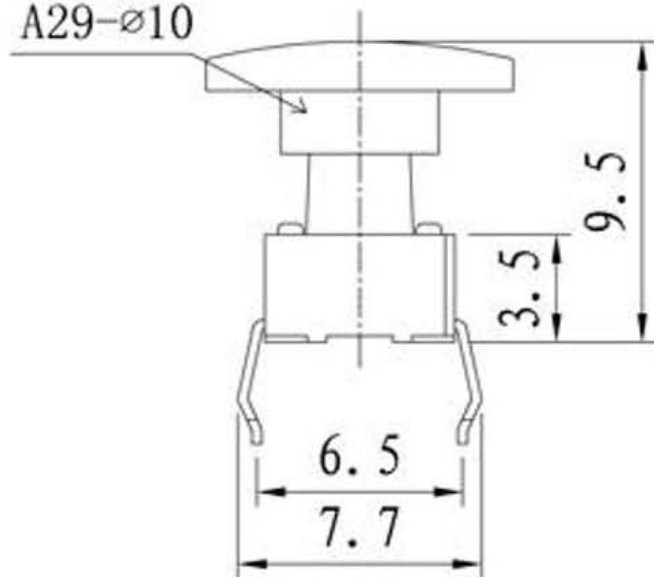


按键帽
A29- \varnothing 10



SCHEMATIC

ECIFICATIONS

RATING : 0.5mA 12VDC MAX .

CONTACT RESISTANCE : 100 m Ω MAX .

INSULATION RESISTANCE : 500 V DC , 100 M Ω MIN

OPERATING TEMPERATURE : -20 $^{\circ}$ C ~ 70 $^{\circ}$ C .

5. OPERATING FORCE : 160 \pm 50gf . 250 \pm 50gf

6. OPERATING LIFE : 100,000 CYCLES .

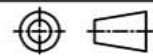


广东科斯达开关厂

TITLE : TACTILE SWITCH

MODEL :

DRAWING NO. : -



UNIT : M M	DWN.	LSX	2015-02-18	GENERAL TOLERANCE
SCALE : 5 : 1	CHK'D	LJ	2015-02-18	WITHIN 1.5mm \pm 0.1mm
LEVEL 1	REV R1	APPD.	CC	2015-02-18
				OVER 1.5mm \pm 0.2mm

9				
8				
7				
6	CAP	ABS/PC	1	SLIVER /BLACK
5	CONTACT	PBS	1	Ag CLAD
4	TERMINAL	BRASS STRIP	4	Ag PLATED
3	BASE	PA66	1	BLACK
2	COVER	PET	1	NATURAL
1	KNOB	PA66	1	WHITE
NO.	PART NAME	MATERIAL	QTY.	FINISHING