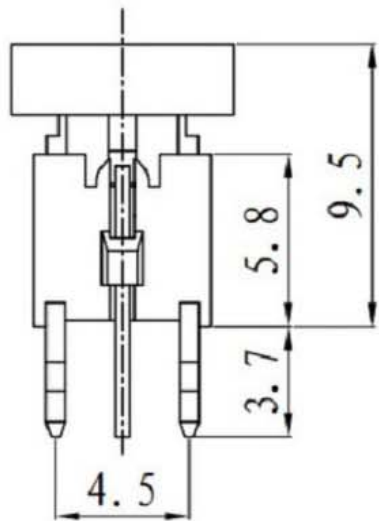
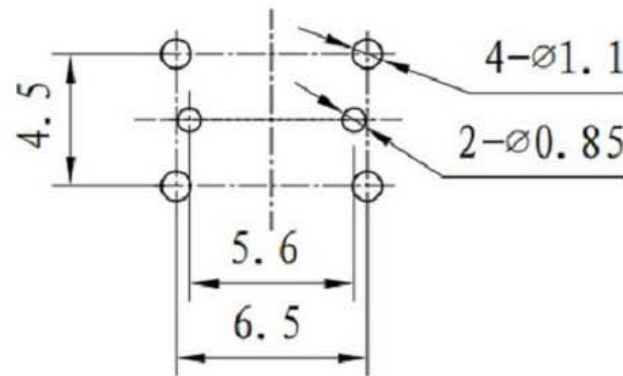


SCHEMATIC



P. C. B. Land Pattern



SPECIFICATIONS

1. RATING : 0.5mA 12VDC MAX .
2. CONTACT RESISTANCE : 100 mΩ MAX .
3. INSULATION RESISTANCE : 500 V DC , 100 MΩ MIN
4. OPERATING TEMPERATURE : -20℃ ~ 70℃ .
5. OPERATING FORCE : 160±50gf . 250±50gf
6. OPERATING LIFE : 100,000 CYCLES .

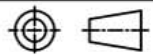


广东科斯达开关厂

TITLE : LLUMINATED TACTILE SWITCH

MODEL :

DRAWING NO. : -



UNIT	SCALE	LEVEL 1	REV	APPD.	CC	DWN.	LSX	2015-02-18	GENERAL TOLERANCE	9				
M M	5 : 1		R1					2015-02-18	WITHIN 1.5mm±0.1mm	8				
								2015-02-18	OVER 1.5mm±0.2mm	7				
										6	CAP	ABS/PC	1	SLIVER /BLACK
										5	CONTACT	PBS	1	Ag CLAD
										4	TERMINAL	BRASS STRIP	4	Ag PLATED
										3	BASE	PA66	1	BLACK
										2	COVER	PET	1	NATURAL
										1	KNOB	PA66	1	WHITE
										NO.	PART NAME	MATERIAL	QTY.	FINISHING