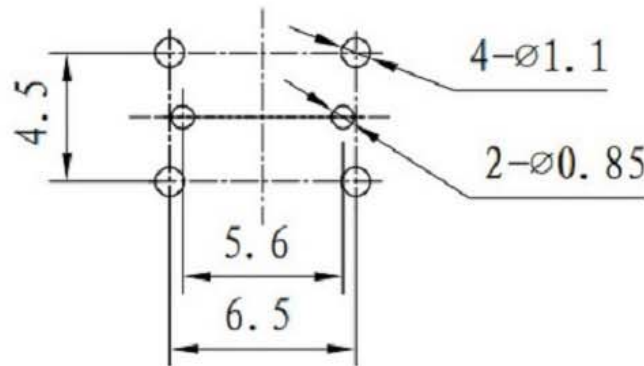
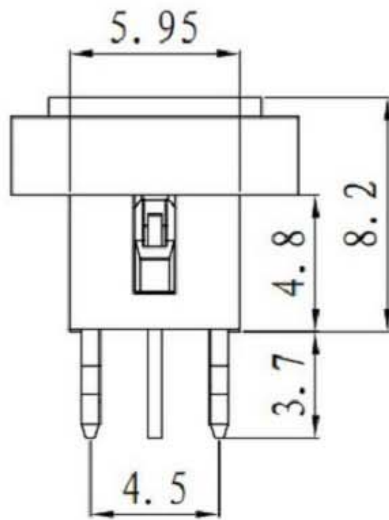


SCHEMATIC



SPECIFICATIONS

1. RATING : 0.5mA 12VDC MAX .
2. CONTACT RESISTANCE : 100 mΩ MAX .
3. INSULATION RESISTANCE : 500 V DC , 100 MΩ MIN
4. OPERATING TEMPERATURE : -20℃ ~ 70℃ .
5. OPERATING FORCE : 160±50gf . 250±50gf
6. OPERATING LIFE : 100,000 CYCLES .

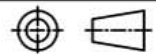


广东科斯达开关厂

TITLE : LLUMINATED TACTILE SWITCH

MODEL :

DRAWING NO. : -



NO.	PART NAME	MATERIAL	QTY.	FINISHING	
9					
8					
7					
6	CAP	ABS/PC	1	SLIVER /BLACK	
5	CONTACT	PBS	1	Ag CLAD	
4	TERMINAL	BRASS STRIP	4	Ag PLATED	
3	BASE	PA66	1	BLACK	
2	COVER	PET	1	NATURAL	
1	KNOB	PA66	1	WHITE	
UNIT	: M M	DWN.	LSX	2015-02-18	GENERAL TOLERANCE
SCALE	: 5 : 1	CHK'D	LJ	2015-02-18	WITHIN 1.5mm±0.1mm
LEVEL 1	REV R1	APPD.	CC	2015-02-18	OVER 1.5mm±0.2mm