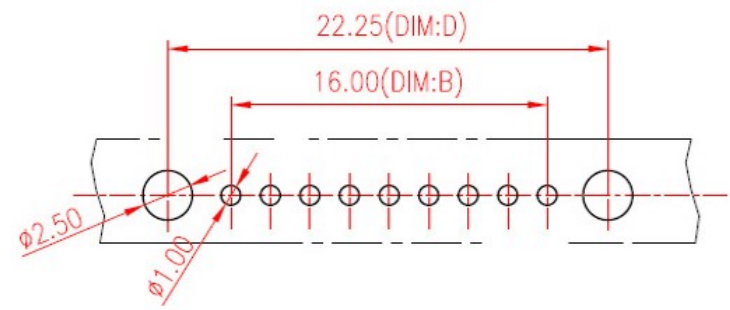
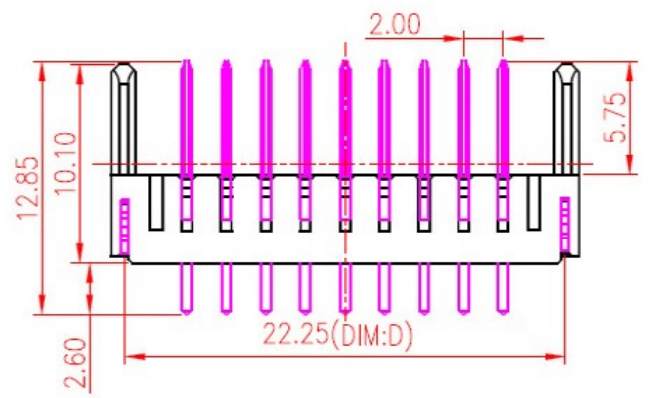
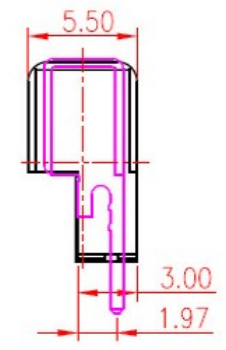
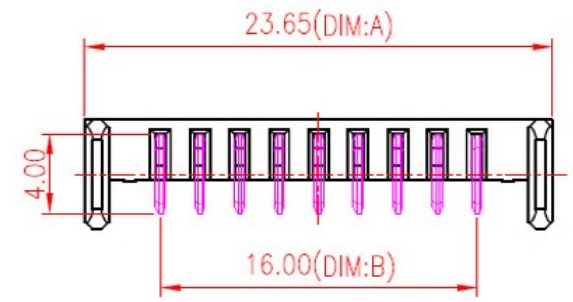


| | | | | |
|------|---------|-------------|--------|------------|
| REV. | ECN NO. | DESCRIPTION | DESIGN | DATE |
| A | | INITIAL | Koi | 2018.03.29 |

| No:of pins | Dimension | | | |
|------------|-----------|-------|-------|-------|
| | DIM.A | DIM.B | DIM.C | DIM.D |
| 03 | 11.65 | 4.00 | 9.15 | 10.25 |
| 04 | 13.65 | 6.00 | 11.15 | 12.25 |
| 05 | 15.65 | 8.00 | 13.15 | 14.25 |
| 06 | 17.65 | 10.00 | 15.15 | 16.25 |
| 07 | 19.65 | 12.00 | 17.15 | 18.25 |
| 08 | 21.65 | 14.00 | 19.15 | 20.25 |
| 09 | 23.65 | 16.00 | 21.15 | 22.25 |
| 10 | 25.65 | 18.00 | 23.15 | 24.25 |
| 11 | 27.65 | 20.00 | 25.15 | 26.25 |
| 12 | 29.65 | 22.00 | 27.15 | 28.25 |



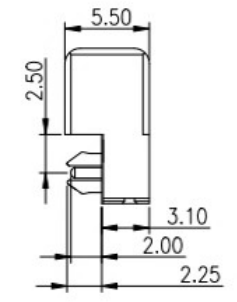
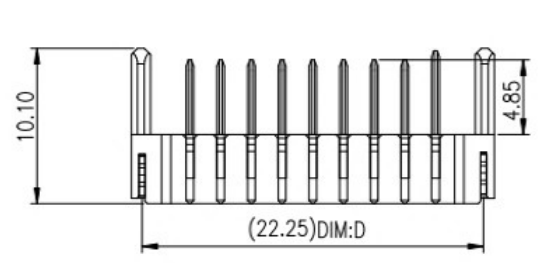
Recommended P.C.B Layout

NOTE:
Material
Insulator:Nylon 9T(UL94V-0)
Contact:phosphor Bronze
Contact Plated:Gold over Nickel or Tin
Specification
Rated voltage: 12V 30V
Current rating: 3A 5A
instant CURRENT:7A
Contact Resistance:30MΩ
Insulation Resistance:100MΩ
Dielectric Voltage:1000V
Operdting Temperature:-40°~105°

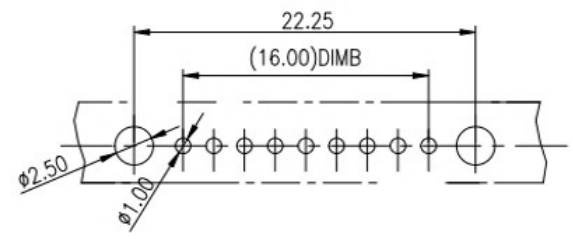
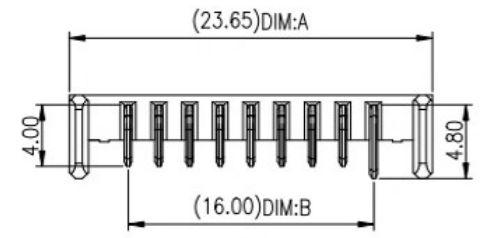
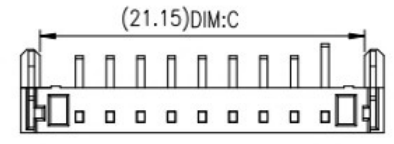
| | | | | | | | |
|---------------------------------------|-------|---------|-----|------------|-------------------|----|-----|
| UNLESS OTHERWISE SPECIFIED TOLERANCES | | | | 广东科斯达电器开关厂 | | | |
| DECIMALS: | | ANGLES: | | DWG NO. | PART NAME: | | |
| DIM | TOL | DIM | TOL | DESIGN: | PART NO. | | |
| X. | ±0.50 | X. | ±2° | CHECK: | REV. UNIT: SHEET: | | |
| X.X | ±0.30 | X.X | ±1° | APPROVED | A | mm | 1/1 |
| X.XX | ±0.20 | X.XX | --- | | | | |
| X.XXX | ±0.10 | X.XXX | --- | | | | |

| ITEM | PART NAME | Q'TY | MATERTAL | DESCRIPTION | REMARK |
|------|-----------|------|-----------------------|-------------|--------|
| ② | HOUSING | 1 | LCP | | BLACK |
| ① | CONTACT A | 2 | PHOSPHOR BRONZE 0.20T | Au PLATED | |

| | | | | |
|------|---------|-------------|--------|------------|
| REV. | ECN NO. | DESCRIPTION | DESIGN | DATE |
| A | | INITIAL | Kai | 2018.03.29 |



| No:of pins | Dimension | | | |
|------------|-----------|-------|-------|-------|
| | DIM.A | DIM.B | DIM.C | DIM.D |
| 03 | 11.65 | 4.00 | 9.15 | 10.25 |
| 04 | 13.65 | 6.00 | 11.15 | 12.25 |
| 05 | 15.65 | 8.00 | 13.15 | 14.25 |
| 06 | 17.65 | 10.00 | 15.15 | 16.25 |
| 07 | 19.65 | 12.00 | 17.15 | 18.25 |
| 08 | 21.65 | 14.00 | 19.15 | 20.25 |
| 09 | 23.65 | 16.00 | 21.15 | 22.25 |
| 10 | 25.65 | 18.00 | 23.15 | 24.25 |
| 11 | 27.65 | 20.00 | 25.15 | 26.25 |
| 12 | 29.65 | 22.00 | 27.15 | 28.25 |



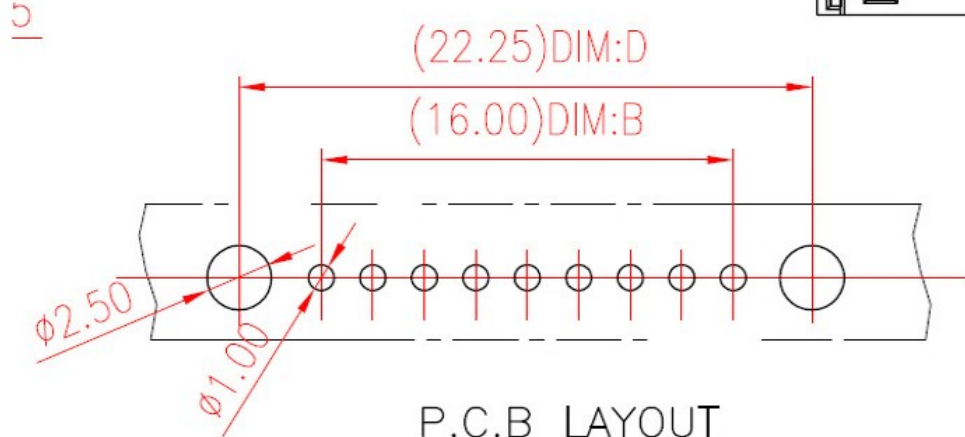
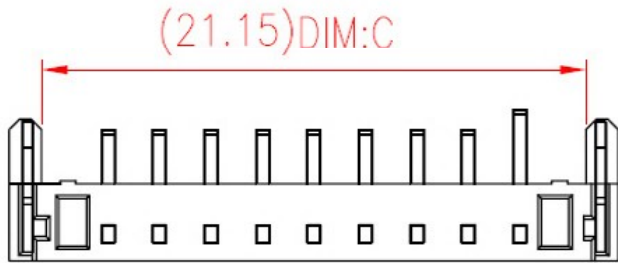
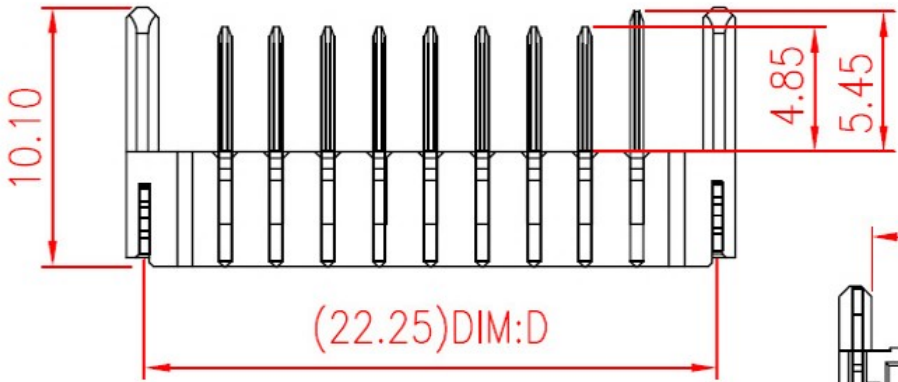
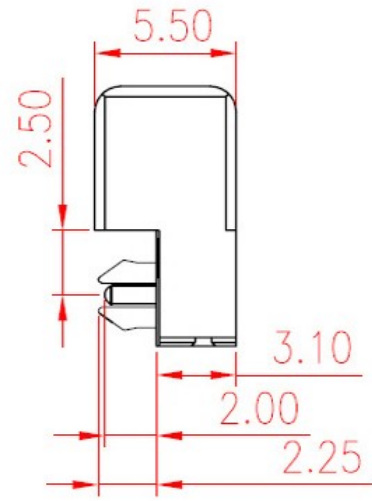
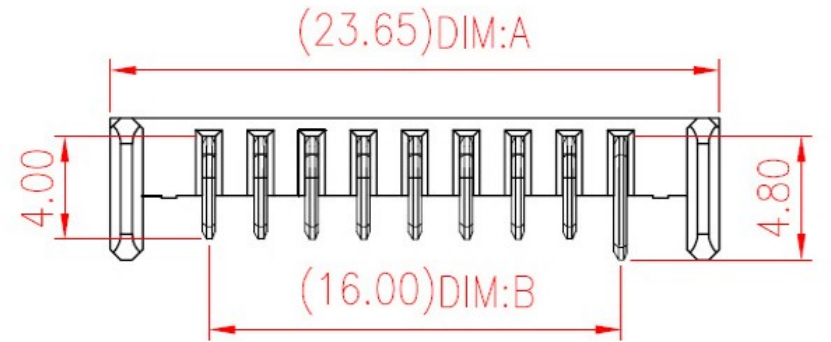
Recommended P.C.B Layout

NOTE:
Material
Insulator:Nylon 9T(UL94V-0)
Contact:phosphor Bronze
Contact Plated:Gold over Nickel or Tin
Specification
Rated voltage: 12V 30V
Current rating: 3A 5A
instant CURRENT:7A
Contact Resistance:30MΩ
Insulation Resistance:100MΩ
Dielectric Voltage:1000V
Operdting Temperature:-40°~105°

| | | | | | | | |
|---------------------------------------|-------|---------|-----|-------------------|-------------------|----|-----|
| UNLESS OTHERWISE SPECIFIED TOLERANCES | | | | 广东科斯达电器开关厂 | | | |
| DECIMALS: | | ANGLES: | | DWG NO. | PART NAME: | | |
| DIM | TOL | DIM | TOL | DESIGN: | PART NO. | | |
| X. | ±0.50 | X. | ±2° | CHECK: | REV. UNIT: SHEET: | | |
| X.X | ±0.30 | X.X | ±1° | APPROVED | A | mm | 1/1 |
| X.XX | ±0.20 | X.XX | --- | | | | |
| X.XXX | ±0.10 | X.XXX | --- | | | | |

| ITEM | PART NAME | Q'TY | MATERTAL | DESCRIPTION | REMARK |
|------|-----------|------|-----------------------|-------------|--------|
| ② | HOUSING | 1 | LCP | | BLACK |
| ① | CONTACT A | 2 | PHOSPHOR BRONZE 0.20T | Au PLATED | |

| | | | | |
|------|---------|-------------|--------|------------|
| REV. | ECN NO. | DESCRIPTION | DESIGN | DATE |
| A | | INITIAL | Koi | 2018.03.29 |



P.C.B LAYOUT

| No:of pins | Dimension | | | |
|------------|-----------|-------|-------|-------|
| | DIM.A | DIM.B | DIM.C | DIM.D |
| 03 | 11.65 | 4.00 | 9.15 | 10.25 |
| 04 | 13.65 | 6.00 | 11.15 | 12.25 |
| 05 | 15.65 | 8.00 | 13.15 | 14.25 |
| 06 | 17.65 | 10.00 | 15.15 | 16.25 |
| 07 | 19.65 | 12.00 | 17.15 | 18.25 |
| 08 | 21.65 | 14.00 | 19.15 | 20.25 |
| 09 | 23.65 | 16.00 | 21.15 | 22.25 |
| 10 | 25.65 | 18.00 | 23.15 | 24.25 |
| 11 | 27.65 | 20.00 | 25.15 | 26.25 |
| 12 | 29.65 | 22.00 | 27.15 | 28.25 |

NOTE:
Material
Insulator:Nylon 9T(UL94V-0)
Contact:phosphor Bronze
Contact Plated:Gold over Nickel or Tin
Specification
Rated voltage: 12V 30V
Current rating: 3A 5A
instant CURRENT:7A
Contact Resistance:30MΩ
Insulation Resistance:100MΩ
Dielectric Voltage:1000V
Operdting Temperature:-40°~105°

UNLESS OTHERWISE SPECIFIED TOLERANCES

| DECIMALS: | | ANGLES: | |
|-----------|-------|---------|------|
| DIM | TOL | DIM | TOL |
| X. | ±0.50 | X. | ±2° |
| X.X | ±0.30 | X.X | ±1° |
| X.XX | ±0.20 | X.XX | ---- |
| X.XXX | ±0.10 | X.XXX | ---- |

广东科斯达电器开关厂

| ITEM | PART NAME | Q'TY | MATERTAL | DESCRIPTION | REMARK |
|------|-----------|------|-----------------------|-------------|--------|
| ② | HOUSING | 1 | LCP | | BLACK |
| ① | CONTACT A | 2 | PHOSPHOR BRONZE 0.20T | Au PLATED | |

| | |
|----------|------------|
| DWG NO. | PART NAME: |
| DESIGN: | PART NO. |
| CHECK: | REV. A |
| APPROVED | UNIT: mm |
| | SHEET: 1/1 |