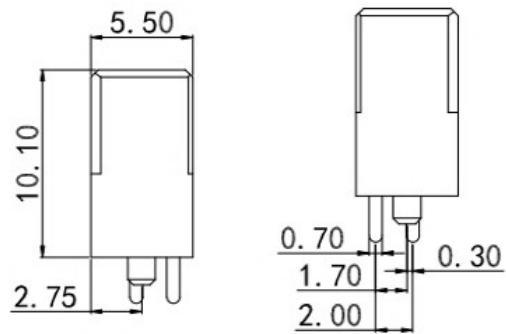
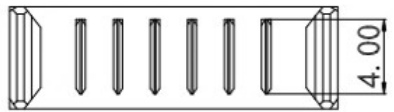
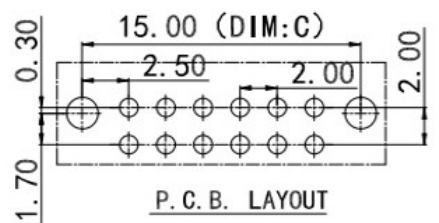
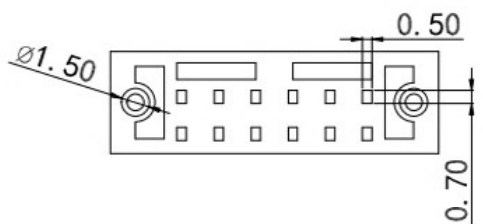
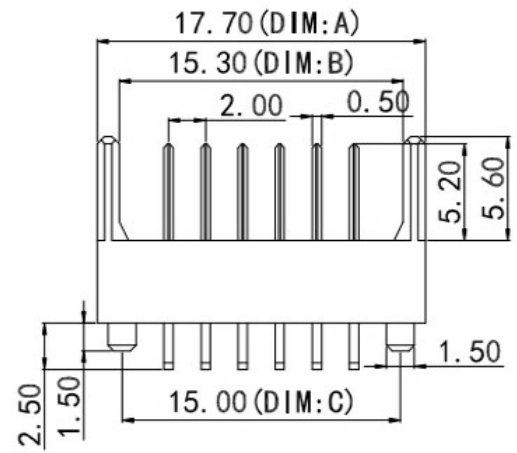


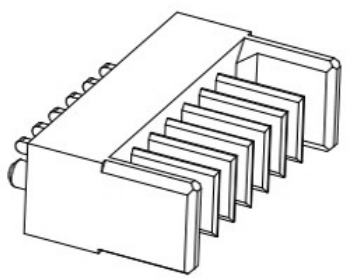
REV.	ECN NO.	DESCRIPTION	DESIGN	DATE
A		INITIAL	Kai	2018.03.29



No: of pins	Dimension		
	DIM. A	DIM. B	DIM. C
03	11.70	9.30	9.00
04	13.70	11.30	11.00
05	15.70	13.30	13.00
06	17.70	15.30	15.00
07	19.70	17.30	17.00
08	21.70	19.30	19.00
09	23.70	21.30	21.00
10	25.70	23.30	23.00
11	27.70	25.30	25.00
12	29.70	27.30	27.00



NOTE:
Material
Insulator:Nylon 9T(UL94V-0)
Contact:phosphor Bronze
Contact Plated:Gold over Nickel or Tin
Specification
Rated voltage: 12V 30V
Current rating: 5A 10A
instant CURRENT:12A
Contact Resistance:30MΩ
Insulation Resistance:100MΩ
Dielectric Voltage:1000V
Operdting Temperature:-40°~105°



UNLESS OTHERWISE SPECIFIED TOLERANCES

广东科斯达电器开关厂

DECIMALS:		ANGLES:		DWG NO.	PART NAME:
DIM	TOL	DIM	TOL	DESIGN:	PART NO.
X.	±0.50	X.	±2°	CHECK:	
X.X	±0.30	X.X	±1°	APPROVED	
X.XX	±0.20	X.XX	----		REV. UNIT: SHEET:
X.XXX	±0.10	X.XXX	----		A mm 1/1

ITEM	PART NAME	Q'TY	MATERTAL	DESCRIPTION	REMARK
②	HOUSING	1	LCP		BLACK
①	CONTACT A	2	PHOSPHOR BRONZE 0.20T	Au PLATED	