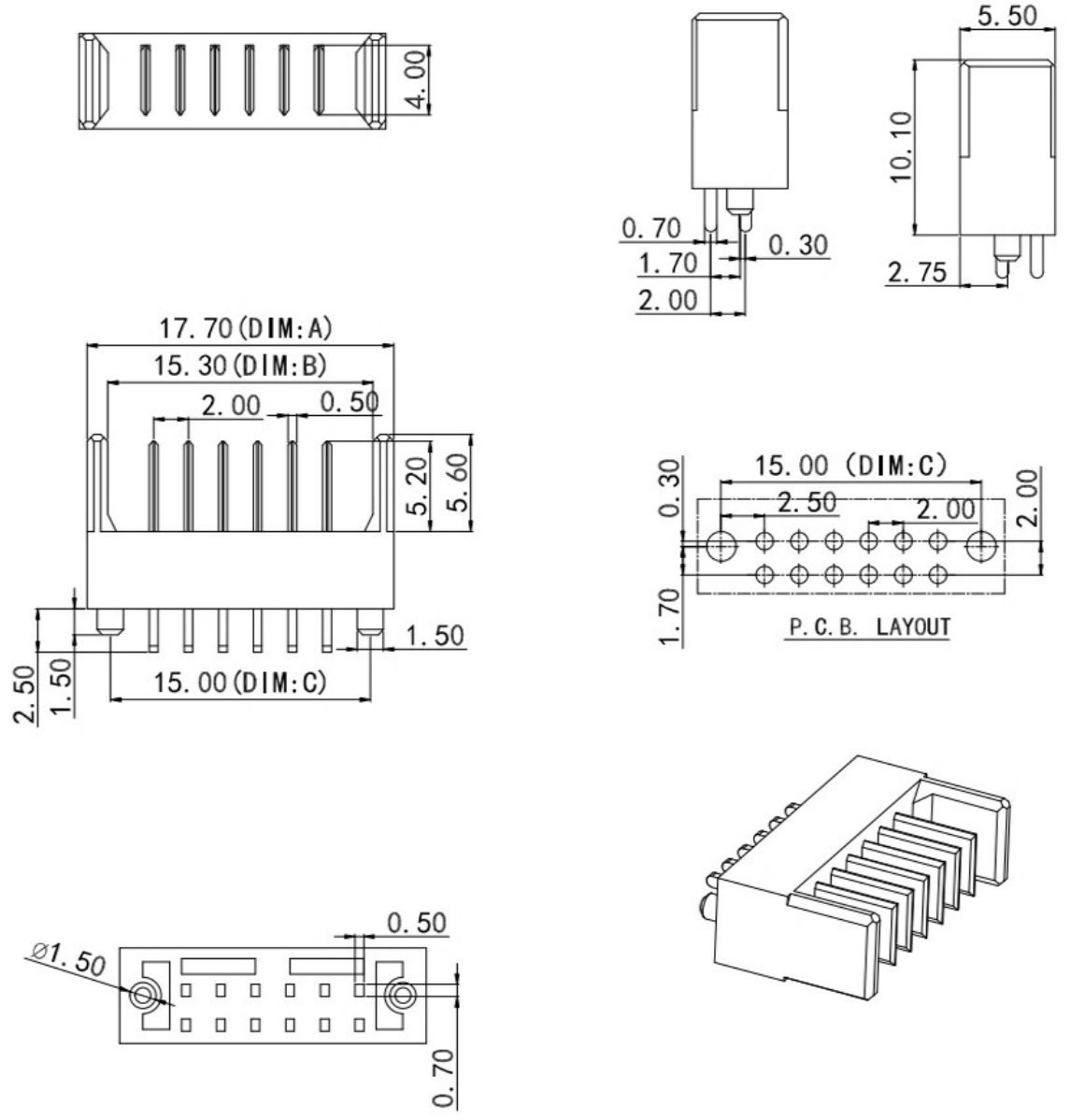


REV.	ECN NO.	DESCRIPTION	DESIGN	DATE
A		INITIAL	Kai	2018.03.29

No: of pins	Dimension		
	DIM. A	DIM. B	DIM. C
03	11.70	9.30	9.00
04	13.70	11.30	11.00
05	15.70	13.30	13.00
06	17.70	15.30	15.00
07	19.70	17.30	17.00
08	21.70	19.30	19.00
09	23.70	21.30	21.00
10	25.70	23.30	23.00
11	27.70	25.30	25.00
12	29.70	27.30	27.00



NOTE:  
Material  
Insulator:Nylon 9T(UL94V-0)  
Contact:phosphor Bronze  
Contact Plated:Gold over Nickel or Tin  
Specification  
Rated voltage: 12V 30V  
Current rating: 5A 10A  
instant CURRENT:12A  
Contact Resistance:30MΩ  
Insulation Resistance:100MΩ  
Dielectric Voltage:1000V  
Operdting Temperature:-40°~105°

UNLESS OTHERWISE SPECIFIED TOLERANCES

**广东科斯达电器开关厂**

DECIMALS:	ANGLES:	DWG NO.	PART NAME:
DIM TOL	DIM TOL	DESIGN:	PART NO.
X. ±0.50	X. ±2°	CHECK:	REV. UNIT: SHEET:
X.X ±0.30	X.X ±1°	APPROVED	A mm 1/1
X.XX ±0.20	X.XX		
X.XXX ±0.10	X.XXX		

ITEM	PART NAME	Q'TY	MATERTAL	DESCRIPTION	REMARK
②	HOUSING	1	LCP		BLACK
①	CONTACT A	2	PHOSPHOR BRONZE 0.20T	Au PLATED	