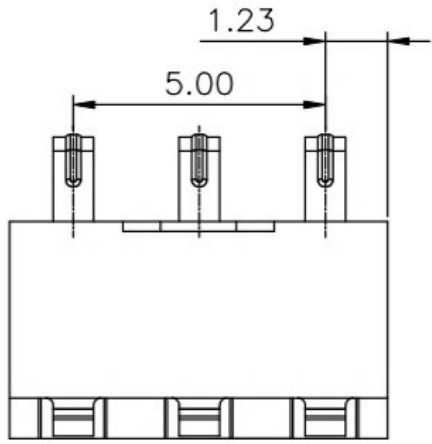


**RECOMMENDED PCB LAYOUT**  
**TOP VIEW (. XX ± 0.05)**



PART NO.	DIM A	DIM B						
BC-2-203	5.4	4.2						
BC-2-203A	6.0	4.7	2	HOUSING	LCP	1	BLACK	
BC-2-203B	7.0	5.6	1	CONTACT TERMINAL	PHOSPHOR BRONZE	3	Au PLATED	
BC-2-203C	8.0	6.7	NO.	PARTS	MATERIAL	QTY.	FINISHING	