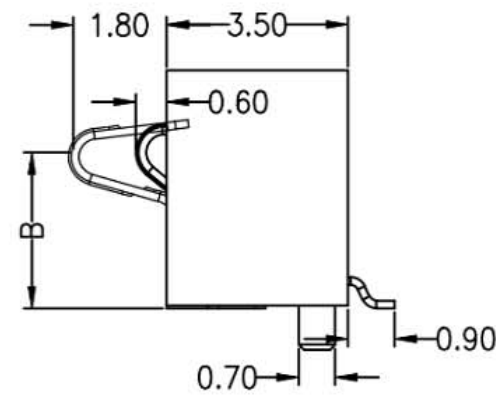
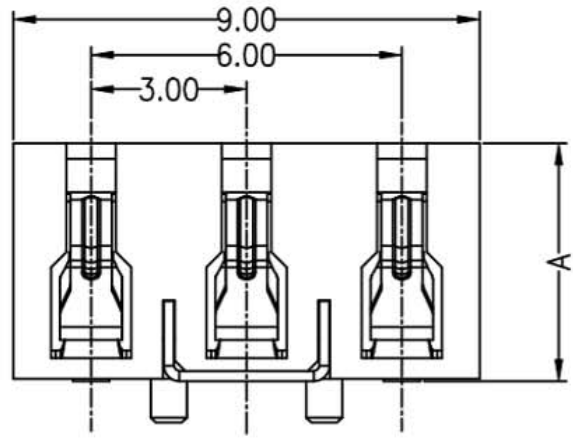
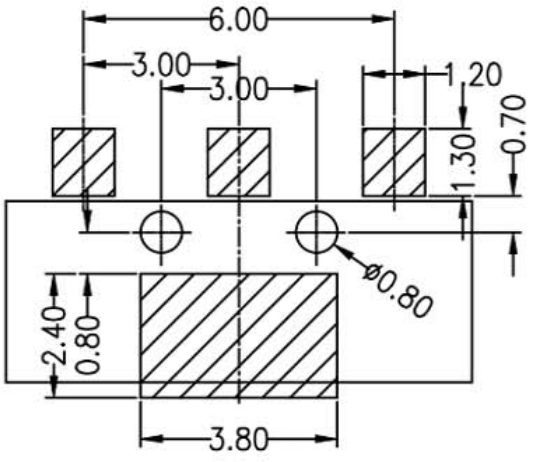


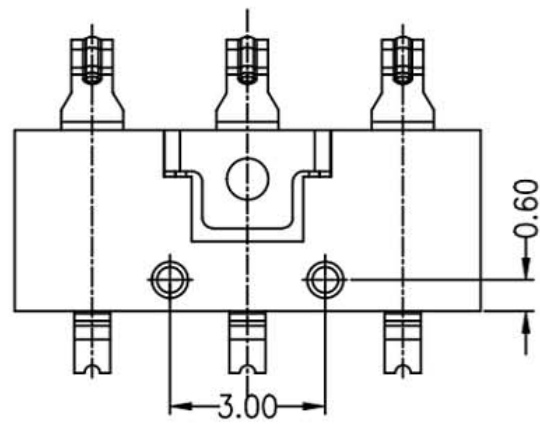
REV.	ECN NO.	DESCRIPTION	DESIGN	DATE
A		INITIAL	Kai	2018.03.29



A	B
4.60	3.00
5.00	3.40
5.40	3.80
6.00	4.40
6.80	5.20
7.20	5.60



RECOMMENDED PCB LAYOUT
TOL:(± 0.05)



性能:
 额定电流: 3.0A
 额定电压: 24V
 耐电压: 500V
 接触电阻: 30m Ω MAX
 绝缘电阻: 500M Ω
 工作温度: -40 $^{\circ}$ C ~ +85 $^{\circ}$ C
 塑件(材质): LCP, 耐高温260 $^{\circ}$ C
 接触点(材质): 铜合金, 触点镀金3U'

UNLESS OTHERWISE SPECIFIED TOLERANCES				广东科斯达电器开关厂			
DECIMALS:		ANGLES:					
DIM	TOL	DIM	TOL	DESIGN:	PART NO.		
X.	± 0.50	X.	$\pm 2'$	CHECK:	REV. UNIT: SHEET:		
X.X	± 0.30	X.X	$\pm 1'$	APPROVED	A	mm 1/1	
X.XX	± 0.20	X.XX	----				
X.XXX	± 0.10	X.XXX	----				

ITEM	PART NAME	Q'TY	MATERIAL	DESCRIPTION	REMARK
②	HOUSING	1	LCP		BLACK
①	CONTACT A	2	PHOSPHOR BRONZE 0.20T	Au PLATED	