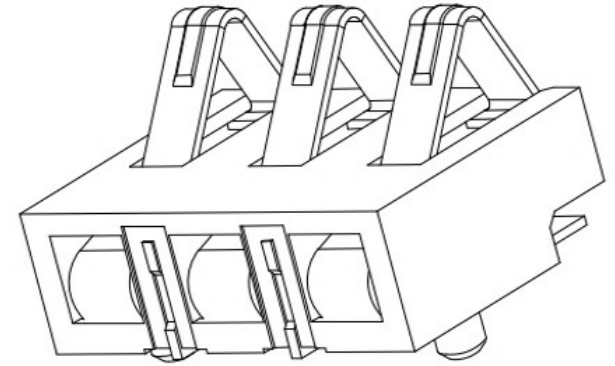
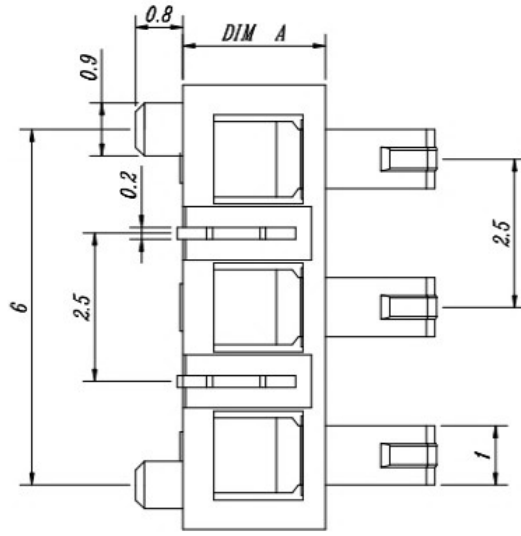
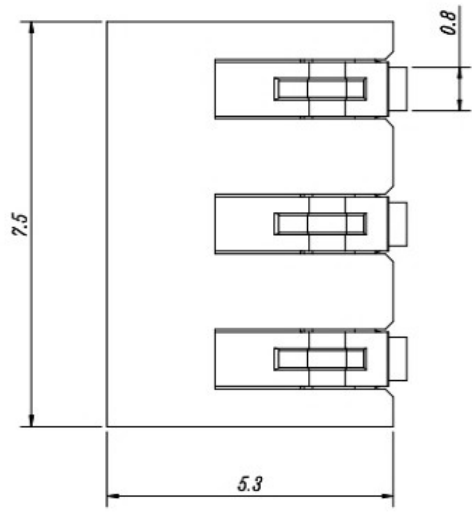
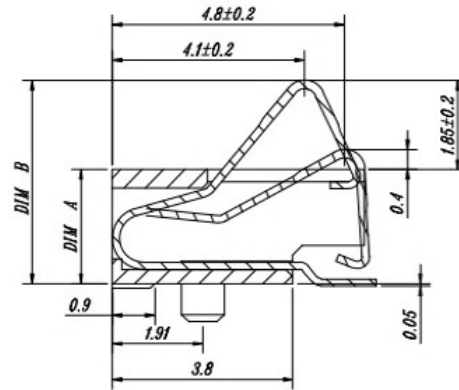
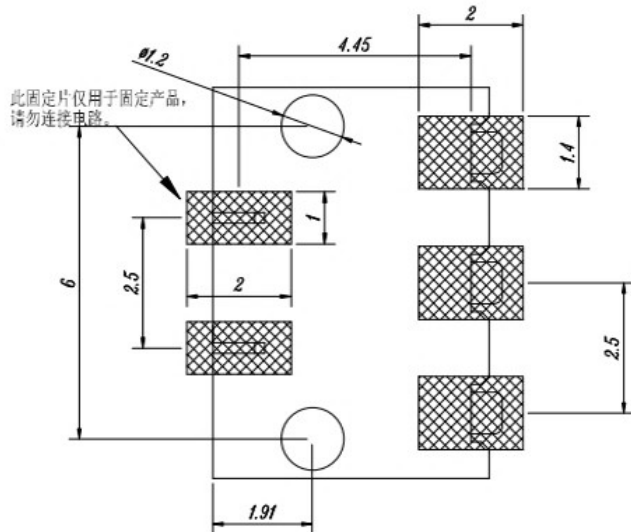


REV.	ECN NO.	DESCRIPTION	DESIGN	DATE
A		INITIAL	Kai	2018.03.29



DIM A	DIM B
2.4	4.3
3.0	4.9
3.5	5.4



性能：  
 额定电流：3.0A  
 额定电压：24V  
 耐电压：500V  
 接触电阻：30mΩ MAX  
 绝缘电阻：500MΩ  
 工作温度：-40℃~+85℃  
 塑件（材质）：LCP，耐高温260℃  
 接触点（材质）：铜合金，触点镀金3U'

RECOMMENDED PCB LAYOUT  
 TOP VIEW (.XX±0.05)

UNLESS OTHERWISE SPECIFIED TOLERANCES

广东科斯达电器开关厂

DECIMALS:		ANGLES:		DWG NO.	PART NAME:
DIM	TOL	DIM	TOL	DESIGN:	PART NO.
X.	±0.50	X.	±2°	CHECK:	REV.
X.X	±0.30	X.X	±1°	APPROVED	UNIT:
X.XX	±0.20	X.XX	----		SHEET:
X.XXX	±0.10	X.XXX	----		A mm 1/1

ITEM	PART NAME	Q'TY	MATERIAL	DESCRIPTION	REMARK
②	HOUSING	1	LCP		BLACK
①	CONTACT A	2	PHOSPHOR BRONZE 0.20T	Au PLATED	