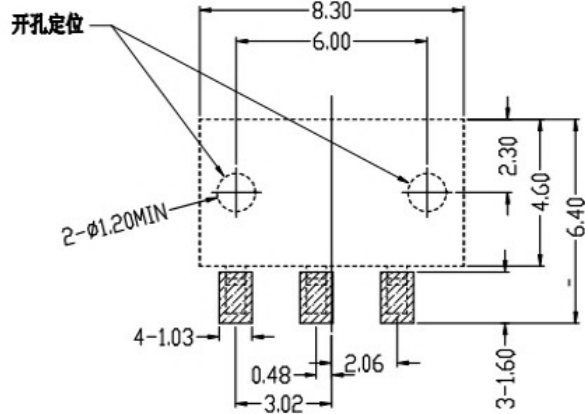
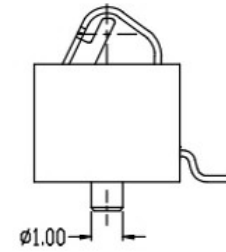
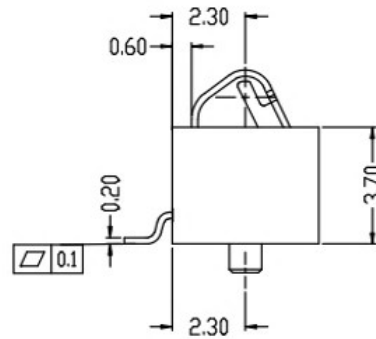
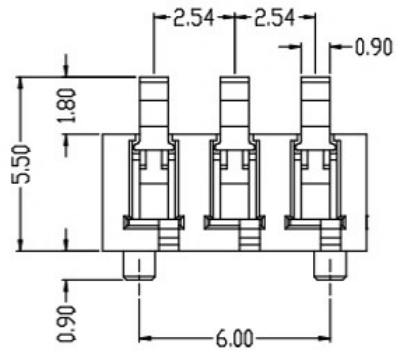
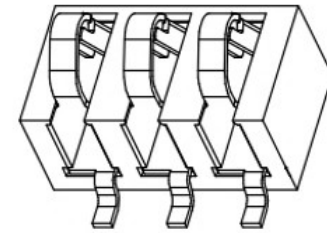
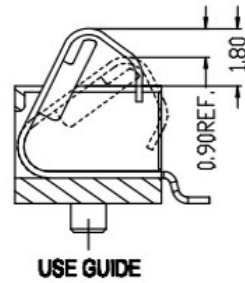
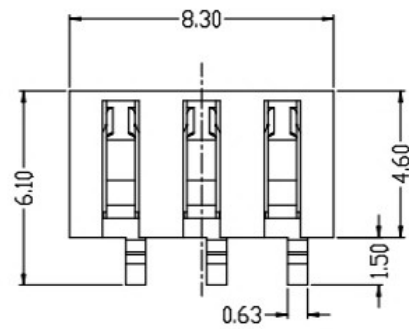


REV.	ECN NO.	DESCRIPTION	DESIGN	DATE
A		INITIAL	Kai	2018.03.29



SMT SOLDER AREA  
 RECOMMENDED PCB LAYOUT  
 GENERAL TOLERANCE  $\pm 0.05$

性能:  
 额定电流: 3.0A  
 额定电压: 24V  
 耐电压: 500V  
 接触电阻: 30mΩ MAX  
 绝缘电阻: 500MΩ  
 工作温度: -40℃~+85℃  
 塑件(材质): LCP, 耐高温260℃  
 接触点(材质): 铜合金, 触点镀金3U'

UNLESS OTHERWISE SPECIFIED TOLERANCES				广东科斯达电器开关厂			
DECIMALS:		ANGLES:					
DIM	TOL	DIM	TOL	DESIGN:	PART NO.		
X.	$\pm 0.50$	X.	$\pm 2^\circ$	CHECK:	REV. UNIT: SHEET:		
X.X	$\pm 0.30$	X.X	$\pm 1^\circ$	APPROVED	A	mm 1/1	
X.XX	$\pm 0.20$	X.XX	----				
X.XXX	$\pm 0.10$	X.XXX	----				

②	HOUSING	1	LCP		BLACK
①	CONTACT A	2	PHOSPHOR BRONZE 0.20T	Au PLATED	
ITEM	PART NAME	Q'TY	MATERTAL	DESCRIPTION	REMARK