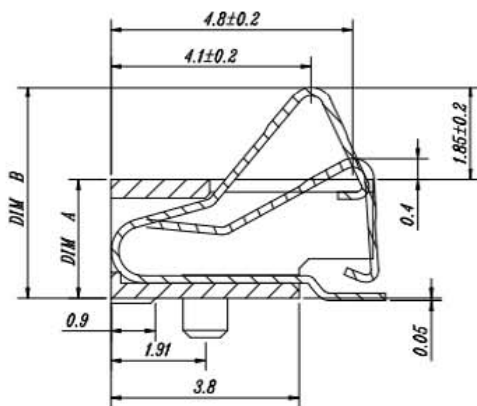
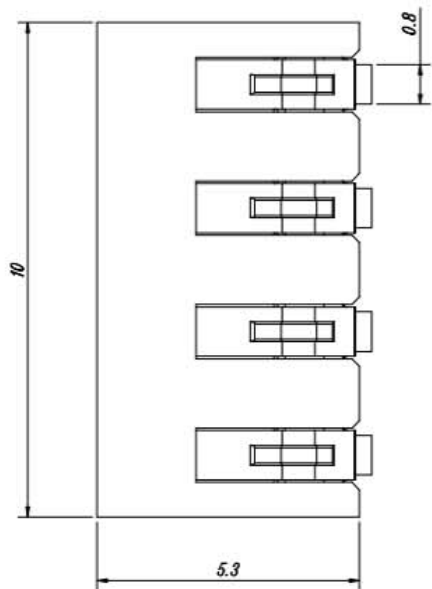
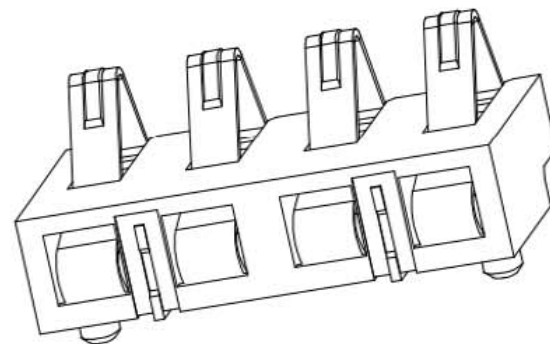
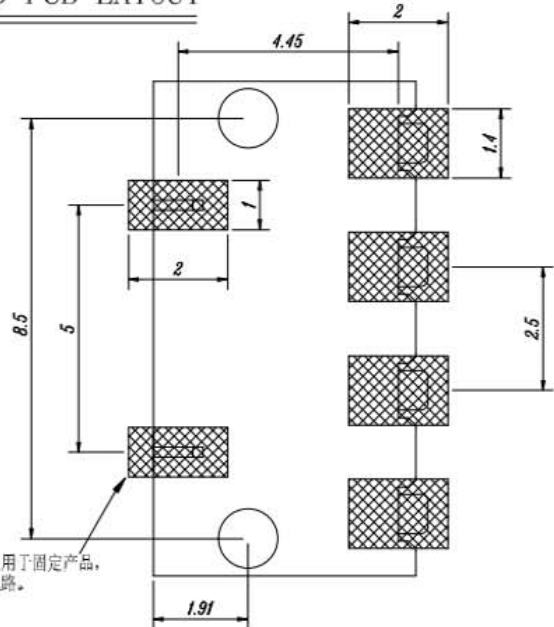
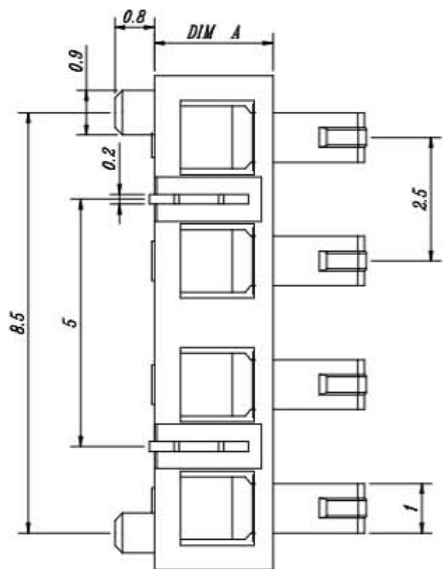


RECOMMENDED PCB LAYOUT

REV.	ECN NO.	DESCRIPTION	DESIGN	DATE
A		INITIAL	Kai	2018.03.29



DIM A	DIM B
2.4	4.3
3.0	4.9
3.5	5.4

性能:  
 额定电流: 3.0A  
 额定电压: 24V  
 耐电压: 500V  
 接触电阻: 30mΩ MAX  
 绝缘电阻: 500MΩ  
 工作温度: -40℃~+85℃  
 塑件(材质): LCP, 耐高温260℃  
 接触点(材质): 铜合金, 触点镀金3U'

UNLESS OTHERWISE SPECIFIED TOLERANCES

广东科斯达电器开关厂

DECIMALS:

ANGLES:

DWG NO.

PART NAME:

DESIGN:

PART NO.

CHECK:

APPROVED

REV. UNIT: SHEET:

ITEM	PART NAME	Q'TY	MATERIAL	DESCRIPTION	REMARK
②	HOUSING	1	LCP		BLACK
①	CONTACT A	2	PHOSPHOR BRONZE 0.20T	Au PLATED	

DIM	TOL
X.	±0.50
X.X	±0.30
X.XX	±0.20
X.XXX	±0.10

DIM	TOL
X.	±2°
X.X	±1°
X.XX	----
X.XXX	----

REV. A UNIT: mm SHEET: 1/1