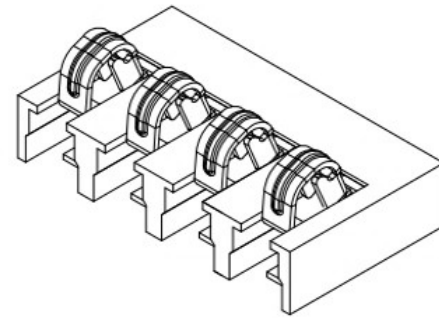
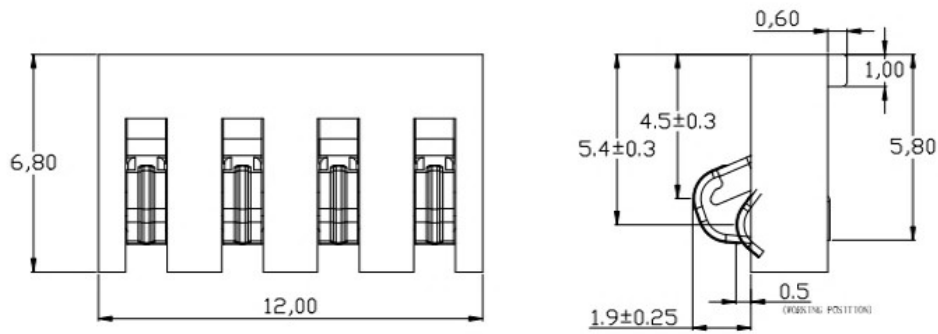
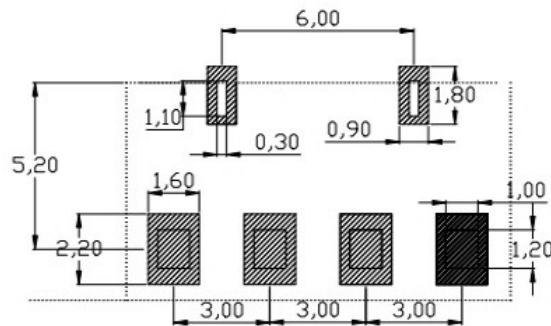
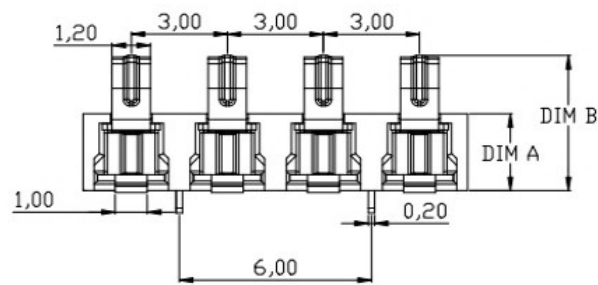


REV.	ECN NO.	DESCRIPTION	DESIGN	DATE
A		INITIAL	Koi	2018.03.29



DIM A	DIM B
2.4	4.30±0.25
3.5	5.40±0.25



RECOMMENDED PCB LAYOUT
TOP VIEW (.XX±0.05)

性能:

额定电流: 3.0A

额定电压: 24V

耐电压: 500V

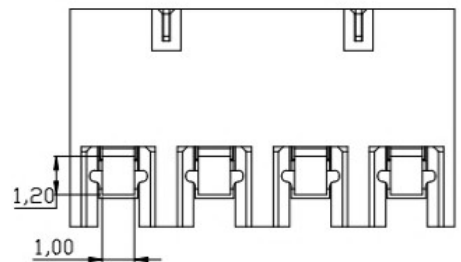
接触电阻: 30mΩ MAX

绝缘电阻: 500MΩ

工作温度: -40℃~+85℃

塑件(材质): LCP, 耐高温260℃

接触点(材质): 铜合金, 触点镀金3U'



UNLESS OTHERWISE SPECIFIED TOLERANCES				广东科斯达电器开关厂			
DECIMALS:		ANGLES:		DWG NO.	PART NAME:		
DESIGN:		CHECK:		PART NO.			
APPROVED		APPROVED		REV.	UNIT:	SHEET:	①
DIM	TOL	DIM	TOL	A	mm	1/1	
X.	±0.50	X.	±2°				
X.X	±0.30	X.X	±1°				
X.XX	±0.20	X.XX	---				
X.XXX	±0.10	X.XXX	---				

ITEM	PART NAME	Q'TY	MATERTAL	DESCRIPTION	REMARK
②	HOUSING	1	LCP		BLACK
①	CONTACT A	2	PHOSPHOR BRONZE 0.20T	Au PLATED	